



SUPPLEMENT

TO THE

NEW ZEALAND GAZETTE

OF

THURSDAY, JANUARY 25, 1906.

Published by Authority.

WELLINGTON, THURSDAY, JANUARY 25, 1906.

CONTENTS.

	Page
Official Notices .. .. .	235
Applications for Letters Patent filed .. .. .	236
Complete Specifications accepted .. .. .	237
Provisional Specifications accepted .. .. .	241
Letters Patent sealed .. .. .	242
Letters Patent on which Fees have been paid .. .. .	242
Request for Correction of Clerical Error .. .. .	242
Applications for Letters Patent abandoned .. .. .	242
Applications for Letters Patent void .. .. .	242
Applications for Letters Patent lapsed .. .. .	243
Letters Patent void .. .. .	243
Designs expired .. .. .	243
Applications for Registration of Trade Marks .. .. .	243
Trade Marks registered .. .. .	247
Trade Mark Renewal Fees paid .. .. .	247
Subsequent Proprietor of Trade Mark registered .. .. .	247
Restoration of Trade Mark to the Register .. .. .	247
Trade Marks removed from the Register .. .. .	247
Notice <i>re</i> Advertisements .. .. .	247
Quarterly List of Inventors* .. .. .	248
Quarterly List of Inventions* .. .. .	257
Quarterly List of Designs Applicants* .. .. .	268
Quarterly List of Trade Marks Applicants* .. .. .	269
Illustrations of Inventions.	

\* Alphabetical lists for the preceding quarters of the year 1905 appear in *Gazette* No. 34, of the 10th April, No. 69, of the 20th July, and No. 91, of the 19th October, and lists of former years in the annual reports of the office.

Official Notices.

PATENT OFFICE LIBRARY.

THIS library contains the following publications, viz. :—

United Kingdom.

The full text of the specifications and complete drawings of inventions patented from the year 1617 up to the 21st September, 1905.

Classified abridgments of inventions to 1900.

Illustrated Official Journal, containing lists of recent applications, abridgments of inventions for which patents have been lately granted, patents void, &c., to December, 1905.

A

Index of Applicants.
Subject-matter Index.
Commissioner of Patent Journal, &c. (*).
Trade Marks Journal to September, 1905.
<i>Canada.</i>
Patent Office Record (containing illustrated abridgments of inventions, &c.) to June, 1905 <sup>(b)</sup> .
<i>Australia.</i>
The Official Journal of Patents of the Australian Commonwealth (containing lists of applications for letters patent, abridgments of complete specifications accepted, &c.).
The Gazettes of the various States (containing lists of applications for registration of trade marks, &c.).
Specifications, drawings, abridgments, and indexes of Victoria, New South Wales, Queensland, and South Australia <sup>(c)</sup> .
<i>United States.</i>
The Official Gazette of the United States Patent Office (containing illustrated abridgments of specifications, &c.) to December, 1905.
<i>Mexico.</i>
The Official Gazette of the Patent and Trade Mark Office.
<i>General.</i>

La Propriété Industrielle (the official organ of the International Bureau of the Union for the Protection of Industrial Property).

- Patent laws of the world.
- Patent and Trade Mark Review.
- Text-books and handbooks on patents and trade marks.
- Miscellaneous publications.
- Illustrated catalogues, price-lists of machinery, &c.

BOOKS AND DOCUMENTS OPEN TO INSPECTION.

The following documents and books are open to public inspection at the Patent Office:—

Patents.

(Fee for each search or inspection, not exceeding one hour, 1s.)

1. The files relating to all applications for letters patent in respect of which complete specifications have been accepted.
2. Classified copies of specifications and drawings, with index and key<sup>(d)</sup>.

3. Register of Application for Letters Patent.
4. Register of Patents.
5. Register of Subsequent Proprietors of Letters Patent<sup>(c)</sup>.
6. Index of Patentees<sup>(f)</sup>.
7. Index of Proprietors of Letters Patent granted prior to 1890<sup>(g)</sup>.
8. Index of Specifications<sup>(h)</sup>.

#### Designs.

(Search fee, 1s. each quarter of an hour.)

1. Register of Designs, with Index of Names of Proprietors.
2. Classified Representations of Designs in respect of which Copyright has expired.
3. Index of Designs.

#### Trade Marks.

(Search fee, 1s. each quarter of an hour.)

1. The files relating to all applications for registration of trade marks.
2. Register of Applications for Registration of Trade Marks.
3. Register of Trade Marks.
4. Index of Applicants for Registration of Trade Marks<sup>(i)</sup>.
5. Index of Trade Marks.
6. Classified Representations of Trade Marks, with indexes.

#### Miscellaneous.

Register of Patent Agents.

#### FORMS.

The following forms, &c., may be had on application:—

- Application for letters patent.
- Provisional specification.
- Complete specification and copy thereof.
- Application for registration of design.
- Application for registration of trade mark.
- Applications for extension of time.
- Requests by subsequent proprietor to enter name on Register of Patents and Trade Marks.
- Printed sheets of information as to fees and procedure to obtain letters patent and to register a trade mark<sup>(j)</sup>.
- Pamphlet containing Act and Regulations (price 1s.).

#### OFFICIAL PUBLICATIONS.

The following publications may be obtained from the Government Printer, Wellington:—

- Printed specifications to the end of the year 1879.
- Annual lists of letters patent and letters of registration applied for, and particulars of applications lapsed, and patents lapsed, from 1880 to 1888 inclusive.
- Annual reports of the Registrar, containing alphabetical lists of applicants for letters patent and of inventions patented from 1889 to 1904 inclusive.
- The Patents Supplement to *Gazette* (containing notifications, applications for letters patent, abridged descriptions and drawings of inventions, &c.), published fortnightly.

#### LOCAL PATENT OFFICES.

Local patent offices for the reception of applications for letters patent without extra payment have been appointed at the following places: Ashburton, Auckland, Blenheim, Christchurch, Dunedin, Gisborne, Greymouth, Hokitika, Invercargill, Napier, Nelson, New Plymouth, Oamaru, Queenstown, Thames, Timaru, Wanganui, Westport. These are situated in the Supreme Court Buildings and S.M. Court Houses.

#### PATENT AGENTS.

A list of registered patent agents may be obtained on application.

(a) Discontinued.  
 (b) These may also be seen at the Public Libraries, Auckland and Christchurch.  
 (c) In arrears. Not now being printed.  
 (d) Key is in card index.  
 (e) This Register contains only names of subsequent proprietors of letters patent granted prior to 1st January, 1890; since that date they appear in Register of Patents.  
 (f) Includes all names of applicants, &c., and consists of four volumes to 4th November, 1903, and card index since that date. A separate card index is kept for current quarter.  
 (g) The names of proprietors of subsequent letters patent appear in the Index of Patentees.  
 (h) Contains classified abridgments of specifications from 1861, with extracts from drawings from July, 1904.  
 (i) Names of applicants for registration and proprietors of trade marks are indexed at the beginning of the Registers up to 31st December, 1889; in separate volume up to 5th September, 1904; and since the latter date are in card index.  
 (j) May also be obtained at any local Patent Office or money-order office.

#### Applications for Letters Patent filed.

LIST of applications for Letters Patent filed. (Where a complete specification accompanies an application an asterisk is suffixed; in all other cases a provisional specification has been lodged. In cases where the applicant is not the inventor the name of the latter appears in italics after the title.)

- No. 20563.—11th January.—H. M. Butler, Kirkstall Forge, Leeds, England.  
 Vehicle-axle.\*
- No. 20564.—11th January.—S. Armstrong, Te Uku, N.Z.  
 Leg-rope grip.
- No. 20565.—9th January.—A. Bradfield, jun., Ratanui, N.Z.  
 Lifting-jack attachment.\*
- No. 20566.—12th January.—B. Halpin and J. H. Rashleigh, Palmerston North, N.Z.  
 Butter-cutter.
- No. 20567.—9th January.—W. Parsons, Papanui, N.Z.  
 Curing milk-fever in cows.
- No. 20568.—9th January.—J. D. Bywater, Christchurch, N.Z.  
 Mowing-machine.\*
- No. 20569.—12th January.—J. P. Cowdery, Christchurch, N.Z.  
 Oiling axles of vehicles.
- No. 20570.—13th January.—J. R. Park, Wellington, N.Z.  
 Carburetting air, and producing gas. (*A. J. Way.*)
- No. 20571.—11th January.—J. A. Easton and J. Greenfield, Dunedin, N.Z.  
 Feed reservoir and box for horses.
- No. 20572.—11th January.—F. W. Payne, Dunedin, N.Z.  
 Dredging tumbler.
- No. 20573.—15th January.—F. E. A. Gordon, Palmerston North, N.Z.  
 Metal-polish.
- No. 20574.—4th January.—J. Pomeroy, Invercargill, N.Z.  
 Signal-lamp.
- No. 20575.—12th January.—H. Mitchell, Invercargill, N.Z.  
 Brooch-fastening.
- No. 20576.—12th January.—D. Bower, Dunedin, N.Z.  
 Milk-strainer.
- No. 20577.—13th January.—A. Wood, Dunedin, N.Z.  
 Acetylene-generator.
- No. 20578.—11th January.—A. Whitney, Melbourne, Vic.  
 Target and shooting-range.
- No. 20579.—2nd January.—M. Hogan, Eldendale.  
 Grain and seed cleaner.
- No. 20580.—11th January.—D. McKenzie, Auckland.  
 Easy-chair.
- No. 20581.—16th January.—H. Quertier, Dunedin.  
 Rail cleaner for tramway.\*
- No. 20582.—17th January.—C. H. Fabian, Wellington.  
 Plant protector and support.
- No. 20583.—17th January.—E. Phillips, Melbourne, Vic.  
 Treating ores.\* (*H. F. Brown.*)
- No. 20584.—17th January.—E. J. Rigby, Malvern, Vic.  
 Fluid feed for operating hammer rock-drills.
- No. 20585.—17th January.—J. Brooks, Chicago, U.S.A.  
 Flasks or cores for castings.\*
- No. 20586.—17th January.—E. Phillips, Melbourne, Vic.  
 Treatment of ores. (*P. Gredt.*)
- No. 20587.—17th January.—J. Snodgrass, Johannesburg, Transvaal.\*  
 Precipitating gold and silver from cyanide-solutions.
- No. 20588.—17th January.—E. J. Hampton, Wellington, N.Z.  
 Window-fastener.
- No. 20589.—18th January.—J. Ingle and W. J. Green, London, England.  
 Cask, &c., branding-machine.\*
- No. 20590.—18th January.—A. L. Johnson, St. Louis, U.S.A.  
 Corrugated bars.\*
- No. 20591.—18th January.—W. E. Hughes, Wellington, N.Z.  
 Boot or shoe tree.\* (*Industrial Patent, Limited.*)
- No. 20592.—18th January.—W. E. Hughes, Wellington, N.Z.  
 Alternating-current electric motor.\* (*W. M. Bradshaw.*)
- No. 20593.—18th January.—A. McGregor and T. F. Macdonald, Geraldton, Queensland, and J. N. Parkes and J. K. Mehan, Townsville, Queensland.  
 Diving-dress.

- No. 20594.—18th January.—B. T. Hamilton and L. Stroud, London, England.  
Locking-device.\* (Date applied for under section 106, 2nd Feb., 1905.)
- No. 20595.—18th January.—F. W. Böhne, Frieberg, Germany.  
Pipe-joint.\*
- No. 20596.—14th January.—J. R. Little, Gisborne.  
Steriliser.
- No. 20597.—15th January.—G. Pulman, Auckland.  
Curving-attachment to planing, &c., machines.
- No. 20598.—18th January.—E. J. Ritchie, Christchurch.  
Egg-trap nest.
- No. 20599.—17th January.—J. J. Bryers, Rawene.  
Fire-escape.\*
- No. 20600.—17th January.—G. Osborne, Tinwald.  
Liquid-sprayer.
- No. 20601.—19th January.—J. W. Fowler, Whangarei Heads.  
Buffer-attachment to doors.
- No. 20602.—19th January.—A. S. Frost, New Plymouth.  
Instrument for ringing cattle.
- No. 20603.—19th January.—J. C. D. Dow, Auckland.  
Liquid measurer and draw-off.
- No. 20604.—17th January.—A. W. G. Fitchett, Wellington.  
Dish-washer. (*Mound City Dish-washer Co.—E. A. Casey.*)
- No. 20605.—18th January.—W. G. Meddings, Auckland.  
Recording breakage of fire-prevention sprinkler.
- No. 20606.—19th January.—E. R. Godward, Invercargill.  
Gas-hangings.
- No. 20607.—19th January.—E. R. Godward, Invercargill.  
Deck or verandah chair.
- No. 20608.—19th January.—R. Dunne, Dunedin.  
Brooch.
- No. 20609.—19th January.—R. Dunne, Dunedin.  
Sleeve-cuff protector.
- No. 20610.—20th January.—T. Bassett, Christchurch.  
Draft of binders, &c. (*C. H. McCormick.*)
- No. 20611.—20th January.—J. A. Woodward, Auckland.  
Brace and trouser adjustment.
- No. 20612.—23rd January.—J. F. Stephenson, Glenferrie, Victoria.  
Bedstead and mattress.
- No. 20613.—18th January.—F. Steele, Port Chalmers, N.Z.  
Lobster-trap.\*
- No. 20614.—18th January.—J. Strachan, Roslyn, N.Z.  
Fan.
- No. 20615.—18th January.—A. L. Speden, Timaru.  
Door-lock.
- No. 20616.—23rd January.—T. Driffield and P. T. Johns, Wellington.  
Chimney-top.
- No. 20617.—23rd January.—S. B. Corrigan, Manaia, N.Z.  
Solution for potato-blight.
- No. 20618.—23rd January.—W. J. Healey, Invercargill.  
Brooch-fastening.
- No. 20619.—23rd January.—J. Glossop, Dunedin.  
Sock.
- No. 20620.—23rd January.—H. J. Marks, Toowoomba, Q.  
Hanging windows, &c.\*
- No. 20621.—23rd January.—H. J. Marks, Toowoomba, Q.  
Chimney-top and ventilator.\*
- No. 20622.—23rd January.—A. Taylor, Dunedin.  
Flushing-cistern.\*
- No. 20623.—23rd January.—K. Knox, Otaki, N.Z.  
Candle-holder.
- No. 20624.—23rd January.—T. R. George, Onehunga, N.Z.  
Gauge for bowls, &c.
- No. 20625.—24th January.—D. McKinnon, Christchurch.  
Seed-sower.
- No. 20626.—24th January.—J. R. Masson, Melbourne, Victoria.  
Recovery of gold and antimony.
- No. 20627.—24th January.—R. T. Hunter, Eaglescliffe, England.  
Construction of roofing, &c.\*
- No. 20628.—24th January.—J. P. Campbell, Wellington.  
Equalising load in electric-current circuit.\* (*R. Braun.*)
- No. 20629.—24th January.—W. H. Wood, Petersburg, S. Australia.  
Railway-brake.\*
- No. 20630.—24th January.—P. J. McGinn, Salisbury, Rhodesia, S.A.  
Vehicle-balance adjustment.\*
- No. 20631.—24th January.—W. Jenkins, Sheffield, Tasmania.  
Boot-sole attachment.

- No. 20632.—24th January.—M. Daly, Burwood East, Victoria.  
Windmill-mechanism.
- No. 20633.—24th January.—W. E. Henderson, Nhill, Victoria.  
Sheep-shears.
- No. 20634.—24th January.—F. A. Alcock, Melbourne, Victoria.  
Billiard table pocket.
- No. 20635.—24th January.—E. Boggiano, Rome, Italy.  
Vote-recorder.\*
- No. 20636.—24th January.—D. S. Baird, Toronto, Canada.  
Loose-leaf binder.\*

*Notice of Acceptance of Complete Specifications.*

Patent Office,  
Wellington, 24th January, 1906.

COMPLETE specifications relating to the undermentioned applications for Letters Patent have been accepted, and are open to public inspection at this office. Any person may, at any time within two months from the date of this *Gazette*, give me notice in writing of opposition to the grant of any such patent. Such notice must set forth the particular grounds of objection, and be in duplicate. A fee of 10s. is payable thereon.

No. 18772.—19th November, 1904.—HARRY ALBERT ATKINSON, of 35, Carlton Street, Christchurch, New Zealand, Life-insurance Agent. An improved fitting for utilising blinds in covering in part or entirely windows, window-openings, doorways, or other places or positions where screens of this nature may be used.\*

*Claim.*—The movable frame or bar constructed of wood or any suitable material or materials, and made for the purpose of being hung or otherwise held to a window, window-opening, doorway, or other place or position where required, and to have suspended from it or otherwise attached to it a blind or blinds, together with such gear as may be used in raising or lowering, closing, opening, rolling, folding, or otherwise manipulating such blind or blinds according to the nature of such.

(Specification, 2s. 6d.; drawings, 1s.)

No. 18927.—9th January, 1905.—CHARLES EDWARD LOWE, of Motueka, New Zealand, Manager. An improved machine for cleaning and for stripping currants and the like from their stalks.\*

[NOTE.—The title in this case has been altered. See list of provisional specifications, *Gazette* No. 6 of the 26th January, 1905.]

*Claims.*—(1.) In means for cleaning and for stripping fruits from their stalks—an endless travelling belt carried on rollers arranged in a frame, one at each end thereof, and mounted one higher than the other, and a roller mounted in the frame parallel to and a slight distance above the upper belt-carrying roller, and means whereby such two rollers may be caused to rotate in the same direction, substantially as specified. (2.) The general arrangement, construction, and combination of parts in my machine for cleaning and for stripping currants and the like from their stalks, as described and explained, as illustrated in the drawings, and for the several purposes set forth.

(Specification, 3s.; drawing, 1s.)

No. 18984.—24th January, 1905.—ERNEST ROBERT GODWARD, of Invercargill, New Zealand, Engineer. Improved means for automatically drawing off water contained in the bottoms of tanks on an inflow of fresh water.\*

*Claim.*—The improved means for automatically drawing off water contained in the bottoms of tanks on an inflow of fresh water, consisting in a length of piping bent over and placed vertically within the tank with one member passing through the bottom thereof, while the other approaches close to the bottom or is attached thereto and formed with notches or perforations in its extremity, substantially as specified.

(Specification, 1s. 9d.; drawings, 1s.)

No. 18994.—26th January, 1905.—FREDERICK AUGUSTUS VAUGHAN, of Wellington, New Zealand, Printer. Improvements in or relating to doors.\*

*Claim.*—An attachment to doors consisting of a strip or batten hinged at one edge to the hinge-jamb of the door-frame adapted to engage with the outside face of the door and controlled by a spring keeping it in close contact with the door, substantially as specified.

(Specification, 2s. 8d.; drawings, 1s.)

No. 19196. — 13th March, 1905. — CARL ZOELLER, of Courier Buildings, Queen Street, Brisbane, Queensland, Australia, Importer of Surgical Instruments, Hospital Supplies, &c.; and JOHN HODGE, of George Street, Brisbane aforesaid, Surgical Instrument Maker. An improved cutter or knife for calf-dehorners, &c.\*

*Claim.*—An improved knife or cutter for calf-dehorners, having a dished or bellied section as and for the purposes set forth.

(Specification, 2s. 3d.; drawings, 2s.)

No. 19207. — 14th March, 1905. — JOHN SAMSON ROBERTS, of Temuka, New Zealand, Agent. An improved handle by means of which a kerosene-tin or the like may be converted into a bucket or carrier.\*

*Claim.*—In a device of the kind described, clips attached to a handle, said clips being formed of two lugs or members attached together to form a fork or bifurcation into which the top edge of a kerosene-tin or other receptacle is forced and secured, substantially as described.

(Specification, 1s. 6d.; drawings, 1s.)

No. 19214. — 18th March, 1905. — WILLIAM ERNEST HUGHES, of Queen's Chambers, Wellington, New Zealand, Patent Agent (nominee of William John Yesell, of 1867, Seventh Avenue, New York, United States of America, Artist). Improvements in printing-surfaces and their production.\*

*Extract from Specification.*—Briefly stated, my improvement in the art of producing printable replicas direct from the original type, electrotype, half-tone, and engraved or other relief or intaglio forms, eliminates the necessity for an engraved, etched, cast, or otherwise prepared metal co-operating die, and is preferably carried into effect by forcing together the type, plate, or other original and the blank of sheet metal or other suitable material by a swaging or kneading pressure, as by rolls or in a press, preferably with a blanket of pulpy, fibrous, or other soft but resistant material, by which the material of the blank is worked intimately against every projection of the original, a harder blanket stratum being subsequently forced against the blank and form, producing a sharp plate with all the details of the original and of even thickness throughout; and, in fact, such a plate will present on its relief side a smooth, uniformly plane surface replication of the type or other printing-surface on which it was formed, and superior to said original in printing-qualities.

[NOTE.—The above extract from the specification is inserted in place of the claims.]

(Specification, 18s.; drawings, 3s.)

No. 19260. — 28th March, 1905. — WILLIAM WALKER, of Hayward's, Wellington, New Zealand, Farmer. Improved teat-opener for cows and other animals.\*

*Claims.*—(1.) An instrument for the purpose indicated, consisting of a cutter mounted in a handle and having three cutting-edges, substantially as specified and illustrated. (2.) An instrument for the purpose indicated, consisting of the parts constructed, combined, and operating substantially as specified and as illustrated in the drawing.

(Specification, 1s.; drawing, 1s.)

No. 19273. — 30th March, 1905. — UNITED SHOE MACHINERY COMPANY, of Paterson, in the State of New Jersey, United States of America (a corporation duly organized under the laws of said State of New Jersey, and having a place of business at 205, Lincoln Street, Boston, Massachusetts, United States of America), assignees of Erastus Edwin Winkley, of Lynn, Essex, Massachusetts aforesaid, Mechanical Engineer. Improvements in or relating to presser-foot mechanism for sewing-machines.\*

*Extract from Specification.*—The present invention contemplates the provision of a presser-foot-actuating mechanism constructed and arranged to hold the presser-foot yieldingly against the work, then to yieldingly move the presser-foot toward the work-support to clamp the layers of material together, and finally to exert a positive predetermined uniform action on the presser-foot to lock the presser-foot in clamping position. Preferably the presser-foot-actuating mechanism is constructed and arranged to positively move the presser-foot a predetermined uniform distance after it has been yieldingly pressed against the work in order to bring it into its final clamping position. In certain types of sewing-machine a presser-foot has been employed in combination with an actuating lever therefor, connections between said

lever and presser-foot, and means for actuating said connections to release the presser-foot and allow it to accommodate itself to stock of varying thickness; but we believe that we are the first to employ means for effecting independently of motion of the said lever a preliminary adjustment of said connections to engage the presser-foot and take up lost motion between the foot and its actuating lever. The presser-foot is provided also with means by which the operator may unlock and raise it for the purpose of inserting the work in place. In one form of construction separate levers or handles are employed respectively for unlocking and for raising the presser-foot, but in the preferred form of the invention a single hand-operated part is adapted in one movement, first to unlock and then to raise the presser-foot.

[NOTE.—The above extract from the specification is inserted in place of the claims.]

(Specification, 13s. 6d.; drawings, 2s.)

No. 19334. — 12th April, 1905. — PERCY LEONARD WESTON, of University of Sydney, Darlington, New South Wales, Australia, Electrical Engineer. An improved bevel-gear milling-machine.\*

[NOTE.—The title in this case has been altered. See list of provisional specifications, Gazette No. 46 of the 18th May, 1905.]

*Extract from Specification.*—The essential features of the invention are: The use of an elongated rotary tool or cutter and means for so guiding it with its axis in the direction of the intertooth grooves that it describes an involute path. This guiding motion is geometrically that of a plane disc rolling on a fixed cone, the latter of which bears a definite relation to the pitch-cone of the bevel-gear to be cut.

[NOTE.—The above extract from the specification is inserted in place of the claims.]

(Specification, 6s.; drawings, 3s.)

No. 19567. — 7th June, 1905. — JOHN ROBERT HARRISON, of 47, Albert Street, Ballarat, Victoria, Australia, Ironfounder. An improved amalgamator and concentrator for ores and tailings.\*

*Extract from Specification.*—This invention relates to an improved amalgamator and concentrator for ores and tailings. It consists of a table or annular pan whose surface is of a tapering volute form in plan, provided with an internal gutter or race to receive and carry off the gangue. The said table-surface is slightly inclined downwards transversely from its inner edge to its outer rim or periphery, and also it inclines downwards circumferentially from its feed-end to its discharge-end; further, the table is suspended from overhead supports, and has a gyratory or eccentric shaking motion imparted to it by a horizontal eccentric which works in a boss at the centre of pan-arms; also for some classes of ore, and especially rich ore, two or more pans may be supported one above the other.

[NOTE.—The above extract from the specification is inserted in place of the claims.]

(Specification, 6s.; drawings, 2s.)

No. 19816. — 1st August, 1905. — DOMINIC KRMPOTIC, of 731, Brunswick Street, Fitzroy, near Melbourne, Victoria, Australia, Shoemaker. An improved pea-shelling machine.\*

*Claims.*—(1.) In a pod-shelling machine, the combination, with a casing, of a series of inclined narrow slideways, rollers of ribbed rubber, or having suitable surfaces located so as when rotated to receive pods from the slideways, draw them between the rollers, split them, discharge them empty, and crowd their contents back; and means to rotate the rollers, substantially as indicated. (2.) In a pod-shelling machine, the combination, with a casing, of a series of inclined narrow slideways, means to vibrate the said slideways, rollers of ribbed rubber, or having suitable surfaces located so as when rotated to receive pods from the slideways, draw them between the rollers, split them, discharge them empty, and crowd their contents back; and means to rotate the rollers, substantially as indicated. (3.) In a pod-shelling machine, the combination, with a casing, of a series of slideways, and rollers adapted when turned to draw pods therefrom, empty the pods, and remove the empty shells as described. (4.) In a pod-shelling machine, the combination, with a casing, of a series of slideways, and ribbed rubber or like rollers adapted to draw pods therefrom, empty the pods, and remove the empty shells, one roller being located higher than and forward of the other. (5.) In a pod-shelling machine, the combination, with a casing, of a series of slideways, a spring connecting the casing and the series of slideways, a roller to which the slideways lead, and a lever adapted to be vibrated to shake the slideways as described. (6.) In a pod-shelling machine, the com-

bination, with a casing, of a series of inclined narrow slideways, and a hopper (above the said slideways) having narrow apertures to align and feed pods to the slideways. (7.) In a pod-shelling machine, the combination, with a casing, of means for aligning and feeding pods to slideways, rollers for receiving the pods and pressing out their contents, and roller-guards or scrapers. (8.) In a pod-shelling machine, the combination, with a casing, of a series of slideways connected thereto by a spring, ribbed rubber or like rollers adapted to draw pods therefrom, empty the pods, and remove the empty shells, one roller being higher than and forward of the other, a cam-wheel on a roller-spindle, and a lever connected to the slideways and actuated by the wheel. (Specification, 5s. ; drawings, 1s.)

No. 19864. — 16th August, 1904. — FRANCIS EDWARD ELMORE, of 4, Broad Street Place, London, England, Electrometallurgist. Improvements in processes for separating certain constituents of finely divided material by causing them to rise or float in a liquid.

[NOTE.—This is an application under section 106 of the Act, the date given being the official date of the application in Great Britain.]

*Claim.*—In processes for separating certain constituents of finely divided material by causing them to rise or float in a liquid, conducting the process wholly or in part under a pressure less than that of the surrounding atmosphere, substantially as described. (Specification, 2s. 6d. ; drawings, 1s.)

No. 20171. — 6th January, 1905. — BERTRAM PARROTT GRAY, of 122, Colmore Row, Birmingham, England, Solicitor. Improvements in and connected with hoof-pads for horse-shoes.

[NOTE.—This is an application under section 106 of the Act, the date given being the official date of the application in Great Britain.]

*Extracts from Specification.*—In carrying out this invention I construct the hoof-pad of indiarubber or other suitable substance or combination of substances, moulded or otherwise made to a suitable shape, so that it fits against the hoof within the shoe. . . . In one arrangement of carrying out my invention (see Figs. 1 to 6, both inclusive) I provide at the front of the pad *a* a projecting metal flat section or other tongue *c*, which may be vulcanised into the indiarubber pad *a*, or may be made removable therefrom, so as to be changed for a longer or shorter tongue to suit the shoe with which the pad is used. A metal or other sheath *d* may be moulded in the pad for the reception of the tongue *c*. This tongue *c* takes into a corresponding slot or recess *e* in the toe-part of the shoe. The back part of the pad *a* is secured in position by a thin flat section metal cross strip or bar *f* which passes transversely through holes or recesses *g i* in the back part of the shoe, and also through a transverse hole *h* in the pad *a*, so that when the cross strap or bar *f* is secured in position in the shoe, as shown in Figs. 1 and 2, the pad *a* is thus perfectly secure, but can readily be removed from the shoe by first withdrawing the cross strap or bar *f* from the shoe and pad.

[NOTE.—The above extracts from the specification are inserted in place of the claims.]

(Specification, 8s. ; drawings, 3s.)

No. 20223. — 25th October, 1905. — ALEXANDER HOUSEMAN, of Charlestown, near Newcastle, New South Wales, Australia, Carpenter. An improved internal-ball-stoppered bottle.

*Claims.*—(1.) An improved internal-ball-stoppered bottle, having a mouth with an abutment for the ball-stopper and a neck or orifice smaller than said ball, and having an intercepting circular chamber between said mouth and said neck, into which, on the bottle being appreciably inclined, the ball-stopper will roll and lie snugly, and leave a clear passage for the pouring-out of the contents of said liquid, substantially as described and explained. (2.) An improved internal-ball-stoppered bottle, having a neck, an intercepting chamber, and a mouth constructed in the manner and for the purposes set forth, substantially as described and explained, and as illustrated in the drawings. (Specification, 2s. 3d. ; drawings, 1s.)

No. 20319. — 13th November, 1905. — WILLIAM HALL, of 26, Selwyn Street, Addington, Canterbury, New Zealand, Engineer. Improvements in threshing or other grain-dressing machines.

*Claims.*—(1.) Dressing grain: By two exhaust fans and three expansion chambers, all in one casing, with their three

valve doors. (2.) Two intake openings E and D to exhaust trunk, and the particular way of their regulation. See specifications and drawings. (3.) Delivery-spout M with hopper K to catch and take away all small seeds and blow them away with the chaff. (4.) Flooring F with small steps. (5.) The way riddle G is put into its place with flooring under, terminating in spout S. (6.) Air-space and drop, as shown at H, with small riddle following. (7.) Perforated floor under trunk at D. All these claims are fully shown on plans and specifications.

(Specification, 2s. 6d. ; drawings, 1s.)

No. 20356. — 22nd November, 1905. — ADOLF KAISER, of 496, Harris Street, Sydney, New South Wales, Australia, Merchant (assignee of N. Winderer & Co., of Fuerth Bavaria, Germany). Universal facetting, grinding, and polishing machine for glass-bevelling.

*Claim.*—A universal facetting, grinding, and polishing machine in which the plate-glass can move freely on its support, and in which the support is moved backwards and forwards by means of eccentrics or cams, so that the glass gets a reciprocating motion which causes the desired formation of the edges.

(Specification, 2s. 6d. ; drawings, 2s.)

No. 20371. — 31st December, 1904. — DONALD ROBERTSON, of Wellington, New Zealand, Civil Servant. Improvements in post-marking machines.

[NOTE.—This is an application under section 106 of the Act, the date given being the official date of the application in Great Britain.]

*Claims.*—(1.) A post-marking machine, having driving, feeding, separating, and rotary printing and stacking devices, substantially as described, and co-operating to effect the purposes set forth. (2.) The combination in a post-marking machine of a feed-wheel and an index finger on one side of the mail-path, with, on the opposite side of the mail-path, an adjustable sensitive mail separator at right angles to the mail-path, and a time stop projecting across the mail-path, substantially as described. (3.) In a post-marking machine, the combination with a positive rotary feed wheel having a continuous rubber face of an adjustable sensitive mail separator at right angles to mail-path, substantially as described. (4.) In a post-marking machine, the combination and use of an index finger, means for adjusting the space between said index finger and guide-plate or mail-fence, a spring for automatic adjustment of index finger to passing mail matter, and means for regulating the pressure of said spring, substantially as described. (5.) The combination in a post-marking machine of a rotary printing wheel having gripping and marking surfaces, part of marking periphery being recessed, the lower part being of continuous periphery, an inking device engaging with marking-die, and a pressure-roller adapted to engage with gripping surface and marking-die, substantially as described. (6.) The combination in a post-marking machine of a mail-fence, a time stop projecting across mail-path set in advance of marking and pressure wheels and pivoted to recede from mail-path, a cam adapted to actuate said time-stop, and means to restore same to normal position after actuation, substantially as described. (7.) In post-marking machines, the employment of a pressure-roller whose axis is behind that of the marking-wheel, substantially as and for the purpose described. (8.) In post-marking machines, the combination with the pressure-roller of a rubber sleeve adapted to engage with printing dies of the marking-wheel, substantially as described. (9.) In post-marking machines, the combination of a stacking-wheel, an adjustable fence, a travelling-tray beneath said fence, and rollers to carry said tray, substantially as described. (10.) In combination, in post-marking machines, a marking-wheel having an impression-die and means for inking same, substantially as described under Fig. 8.

(Specification, 8s. 6d. ; drawings, 4s.)

No. 20433. — 11th December, 1905. — RICHARD DIGGLE HAWORTH, of Empire Box-making Company (Limited), of Wellington, New Zealand, Manager. An improvement relating to the manufacture of cardboard boxes.\*

*Claims.*—(1.) In the manufacture of cardboard boxes the employment of a hook integrally formed upon one portion, and a slot adapted for the passage of said hook in the opposing portion of said box, and a button adapted to be turned upon its pivot to engage said hook, substantially as specified and illustrated. (2.) The improvement in the construction of cardboard boxes, consisting of the parts constructed, arranged, combined, and operating substantially as and for the purposes specified and illustrated in the drawing.

(Specification, 2s. ; drawing, 1s.)

No. 20442.—12th December, 1905.—BRYAN THOMAS ROBERTS GREENSILL, of Mahau, New Zealand, Sheep-farmer. A device for holding egg-beaters while being operated.

*Claims.*—(1.) A device for holding egg-beaters while being operated, the same consisting of a casting provided with a clamp at its lower end for securing it vertically upon a table or the like, and formed with an overhanging portion at its upper end provided with means whereby the handle of the beater may be adjustably gripped so as to hold the beater in a vertical condition, substantially as specified. (2.) The device for holding egg-beaters while being operated, substantially as described and explained, and as illustrated in the drawings.

(Specification, 2s. 3d.; drawings, 1s.)

No. 20447.—14th December, 1905, EDGAR CHARLES KILGOUR, of Heygarth Street, Echuca, Victoria, Australia, Engineer. Improvements in machines for generating acetylene gas.

*Claims.*—(1.) In improvements in machines for generating acetylene gas, an outer cylindrical metal vessel, such as A, in combination with a rising gas-holder, such as B, a circular vessel for receiving ballast, such as C, two wing tanks, such as D and D1, with guide rods *s*, pulleys *s1*, and transverse bar *t*, substantially as described and illustrated by the drawings. (2.) In improvements in machines for generating acetylene gas, a condenser and washer, such as T, with the valve fittings and connections as shown in Fig. 4, substantially as described and illustrated by the drawings. (3.) In improvements in machines for generating acetylene gas, a water-feed valve, such as Fig. 5, with hollow lever G1, perforated drum G, cylinder E, spindle E1, and spiral spring E2, substantially as described and illustrated by the drawings. (4.) In improvements in machines for generating acetylene gas, a change-feed apparatus, such as Fig. 6, with float H, transverse plate *w*, vertical pin *z*, pipe *z1*, and transverse pin *z2*, substantially as described and illustrated by the drawings. (5.) In improvements in machines for generating acetylene gas, a trough, cylinder, and carbide-tray with perforated end, such as Figs. 7, 8, and 9, substantially as described and illustrated by the drawings. (6.) In improvements in machines for generating acetylene gas, a cylinder lock, such as K, in combination with pipe *z*, indicator cylinder J, float *i*, and indicator rod *k*, substantially as described and illustrated by the drawings. (7.) In improvements in machines for generating acetylene gas, a syphon stop-valve such as U, with valve-rod *g*, lever *f*, balance weight *f1*, stop-rod *e*, and guide tube *j*, substantially as described and illustrated by the drawings. (8.) In improvements in machines for generating acetylene gas, the combination and arrangement of parts forming improvements in machines for generating acetylene gas, substantially as described and illustrated by the drawings in Figs. 1 to 9, and as for the purposes set forth.

(Specification, 8s.; drawings, 4s.)

No. 20454.—14th December, 1905.—THE CHARTERED PATENTS COMPANY, LIMITED, a corporation of the State of New York, United States of America, of 27, William Street, New York City, New York aforesaid (assignees of John Robert Pearson, of 203, Eighth Street, Brooklyn, New York aforesaid, and Gustave Alfred Pearson, of 217, Fifth Avenue, Brooklyn aforesaid, Engineer). Improvements in type casting and setting machines.

*Extract from Specification.*—The machine is direct-acting—that is, the depression of a key causes the corresponding type to be cast without employing a previously prepared strip or analogous device. The types are produced in accordance with the unit system—self-spacing—and delivered successively in word-chambers in a magazine, from which the words are transferred to a galley, the line being justified during such transference. The machine is driven by power, and the various movements initiated through electro magnets, energised by key contacts and switchers, as permitting more rapid and direct control.

[NOTE.—The above extract from the specification is inserted in place of the claims.]

(Specification, £1 15s.; drawings, 6s.)

No. 20455.—14th December, 1905, AKTIEBOLAGET SEPARATÖB, a company existing under the laws of Sweden, and having their place of business at 8, Flemingatan, Stockholm, Sweden, Manufacturers (assignees of Birger Ljungström, of 8, Flemingatan, Stockholm aforesaid, Engineer). Improvements in centrifugal separating apparatus.

*Claims.*—(1.) In centrifugal separating-apparatus of the kind having rotating scrapers located within the bowl for the

transport of the solids, the improvement, that said scrapers are cup-shaped and secured to the rotating part in such a position that relatively to a plane through the radius, and the axis of rotation they have their bottom situated deeper than their edges, in order that the catching-capacity of the scoops may be increased. (2.) In centrifugal machine, as claimed in claim 1, the improvement that the scoops are located between two rings or discs, whereby the scoops themselves may be open at the top and the bottom.

(Specification, 2s.; drawings, 2s.)

No. 20456.—31st December, 1904.—HENRY JOSEPH RAN-DOLPH HEMMING, of Kent Cottage, Hither Green, Kent, and of 81, Cannon Street, and 4, Budge Row, London, England, Solicitor. Improvements in methods of and apparatus for sterilising, preserving, and aerating foods, liquids, and organic substances, and treating materials with gases.

[NOTE.—This is an application under section 106 of the Act, the date given being the official date of the application in Great Britain.]

*Extract from Specification.*—I enclose the liquid in a suitable receptacle, which is then closed except for two orifices which may both be situated above the surface of the liquid or the one for the ingress of the gas below the surface and the one for the egress above the surface of the liquid. Carbon-dioxide, or any other required gas or gases, is then, at a pressure, passed in at one of these orifices to drive out and displace the air in the space above the liquid, which escapes at the other. When the whole or greater part of the air has been so removed and displaced more gas is admitted under pressure, the liquid being now agitated so as to facilitate the absorption of the gas; the pressure is then relieved, to allow the air in solution to escape so that it may be driven off. For this latter operation the gas, if it is carbon-dioxide, should be used at a pressure of at least four atmospheres, preferably more, in order that the air may be displaced. Lastly, more gas is admitted under a sufficient pressure (four to ten atmospheres or more), and the liquid agitated to insure sufficient saturation to accomplish the purpose desired, and the receptacle is then sealed. But a very great economy is effected by arranging a large number of such receptacles in series, so that a comparatively small amount of gas may replace, displace, and drive out the whole or nearly the whole of the air, and I have devised a convenient form of apparatus for the purpose.

[NOTE.—The above extract from the specification is inserted in place of the claims.]

(Specification, 18s.; drawings, 2s.)

No. 20464.—18th December, 1905.—LEO AUSTIN WALSH, of Remuera, Auckland, New Zealand, Engineer. Improvements in fish-hooks or artificial bait.

*Claims.*—(1.) In fish-hooks of the class described, a double spring to the respective members of which the hooks are connected, a rod passing longitudinally through the bend of the spring and between the members thereof, the outer end of which is connected to the fishing-line, and a cross head-piece secured to the inner end of the rod and loosely encircling the members of the spring on each side thereof, substantially as and for the purposes specified. (2.) In artificial bait of the class described, forming such bait in two halves longitudinally, hinged together at their top ends and with hooks attached to their respective bottom ends, a double spring inserted between the two halves with its respective ends secured to the halves on each side, a rod passing longitudinally through the top of the bait and the bend of the spring to the outer end of which the fishing-line is attached, and a cross head-piece secured to the inner end of the rod and loosely encircling the members of the spring on each side thereof, substantially as and for the purposes specified. (3.) The improvements in fish-hooks or artificial bait, substantially as described and explained, and as illustrated in the drawings.

(Specification, 3s.; drawing, 1s.)

No. 20465.—18th December, 1905.—JABEZ TURTON, of 3, Bok Street, Wanderer's, Johannesburg, Transvaal, Metallurgical Chemist. Improvements relating to the extraction of metals from their ores.

*Claims.*—(1.) The improvements in the extraction of metals from ores, which consist in treating the crushed ore with a solution consisting of sulphuric acid, salt (chloride of sodium), saltpetre (nitrate of soda or nitrate of potash), permanganate of potash or permanganate of soda, and water, with or without the addition of saccharine, in suitable quantities or proportions, substantially as described. (2.) In the extraction of metals from ores the employment of a solvent solution consisting of sulphuric acid, salt (chloride of sodium), saltpetre (nitrate of soda or nitrate of potash),

permanganate of potash or permanganate of soda, and water, with or without the addition of saccharine, substantially as described, and in the proportions specified.  
(Specification, 5s.)

No. 20466.—18th December, 1905.—ALFONSO GEORGE LAVERTINE, of Club Chambers, Anderson Street, Johannesburg, Transvaal, Civil Engineer, and JAMES EDWARD MCNELLAN, of 101, Bree Street, Johannesburg aforesaid, Civil Engineer. Improvements in means for inflating rubber tires.

*Claims.*—(1.) In means for inflating rubber tires, the use of a cartridge containing compressed air or gas and means for releasing said air or gas and conducting it to the tire to be inflated, substantially as described with reference to Figs. 1, 2, and 3, or Fig. 4 of the drawings. (2.) Means for inflating rubber tires, consisting of a cartridge containing compressed air or gas and means for releasing the air or gas and for conducting it to the tire to be inflated, said means comprising a needle adapted to perforate the cartridge to release the air or gas and a valve through which the air or gas may pass to the tire to be inflated, means for raising said valve and causing the needle to perforate the cartridge, and means whereby the valve is closed when the means which serve for opening it are released, to allow a portion only of the contents of the cartridge to be utilised, substantially as described. (3.) Means for inflating rubber tires, consisting of a casing adapted to receive a cartridge containing compressed air or gas, a valve seated in said casing, a needle fitted to said valve adapted to perforate the cartridge to release the air or gas when the valve is raised off its seat, a port in the valve for conducting the compressed air or gas to the tire to be inflated, and a piston formed on part of the valve which operates to close the valve when the pressure maintaining the valve in an open position is released, substantially as described. (4.) Means for inflating rubber tires, consisting of a casing adapted to receive a cartridge containing air or gas under pressure, a valve formed with a stem and seated in said casing, a needle fitted to said valve adapted to perforate the cartridge to release the air or gas when the valve is raised off its seat, a port through the valve and stem, a rod or tube into which the stem of the valve is fitted, a cup-leather between said stem and rod forming a piston, a lever for moving said rod inwards to open the valve and to perforate the cartridge, and a port through the valve through which the compressed air or gas may pass to act on the piston to close the valve when the valve is released, and means for conducting the air or gas from the casing to the tire to be inflated, substantially as described. (5.) In means for inflating tires, the combination with the casing of the cartridge fitted with a valve by means of which the compressed air or gas is released, and means for actuating said valve, substantially as described. (6.) In means for inflating tires, the combination with the casing of the cartridge fitted with the valve, and means for actuating the valve to release the compressed air or gas, said means comprising the lever pivoted in the casing-cap and adapted to engage the cartridge to press it over the valve, and means for conducting the air or gas from the casing to the tire, substantially as described. (7.) In means for inflating tires, the combination with the casing of the cartridge fitted with the valve, the cartridge being constructed to provide a resilient seating for the valve, and the casing being constructed to provide a resilient seating for the cartridge, the lever pivoted in the casing-cap, and the concave piece pivoted to the lever, the concave piece being adapted to engage and depress the cartridge to open the valve to release the compressed air or gas, substantially as described. (8.) Means for inflating tires, having its several parts constructed and arranged to operate in combination, substantially as described in connection with and as shown in Figs. 1, 2, and 3, or Fig. 4 of the drawings.  
(Specification, 10s.; drawing, 1s.)

No. 20471.—20th December, 1905.—ALFRED COLLIER, of Ryrie Street, Geelong, Victoria, Australia, Banker. Improvements in forms of cheques and like value or amount indicating documents.

*Claims.*—(1.) A cheque or other form, in which the only provision for a statement of the pounds (or the like, as dollars) consists of one of a series of horizontal amount-limiting lines, the right part whereof is for words and the left part compartmented for the corresponding figure or figures, the lines being decimally distinguished, the lower the line the lower being the limit it indicates, as described. (2.) A cheque or other form in combination with a butt, in which the only provision in each case for a statement in figures of the pounds (or the like, as dollars) consists of one of a series of horizontal amount-limiting compartmented lines, each compartment being for one figure, the lines being decimally distinguished, the lower the line the lower being

the limit it indicates, as described. (3.) A cheque or other form having narrow compartments each for a figure on a series of decimally distinguished amount-limiting lines which have space for wording to correspond with the figures, vertical (or vertical and horizontal) lines being embossed or provided, forming ridges substantially as described. (4.) A cheque form and butt, each having figure-compartments for a statement of the pounds (or the like, as dollars), the butt having means to facilitate the superposition of the cheque in such position that figures written in proper compartments on the cheque may be transferred by carbon to corresponding compartments on the butt, as described. (5.) A cheque-form adapted to be signed in blank, having horizontal amount-limiting lines compartmented at the left end for figures, so located that to limit the amount for which the cheque can be filled it suffices to draw a cancelling-line along the uppermost of the said horizontal lines (or, according to the limit, along the same and one or more lines under it), the limit indicated by each horizontal line being one-tenth of the limit indicated by the line above it, as described.  
(Specification, 6s. 6d.; drawings, 1s.)

No. 20475.—20th December, 1905.—MICHEL BERNARD LEON EHRMANN, of St. Kilda, Victoria, Australia, Consulting Chemist. Improvements in and relating to the manufacture of butter.

*Claims.*—(1.) The use of carbonic acid in the treatment of cream preparatory to its manufacture into butter. (2.) In the manufacture of butter, the employment of carbonated cream. (3.) In the manufacture of butter, the employment of carbonic acid, substantially as indicated. (4.) As a means of treating manufactured butter, the aforesaid process of utilising carbonic acid. (5.) As an improved article of manufacture, butter which has been made by the carbonic-acid process. (6.) The improved product resulting from treating butter other than fresh by the carbonic acid process.  
(Specification, 3s. 6d.)

No. 20515.—2nd January, 1905.—JAMES ROBINSON HATMAKER, of 25, Rue de la Faisanderie, Paris, France, Gentleman. Eggs and egg-containing substances in dry form, and process for obtaining same.

[NOTE.—This is an application under section 106 of the Act, the date given being the official date of the application in Great Britain.]

*Claims.*—(1.) Dry sterile eggs, or parts of egg, in light fluffy or porous form obtained by drying eggs rapidly in a very thin film or layer upon a suitable surface heated in excess of 212° Fahr., substantially as described. (2.) Dry sterile compounds of eggs, or parts of egg, and other substances obtained by drying rapidly in a very thin film or layer upon a suitable surface heated in excess of 212° Fahr., liquid mixtures of such substances, substantially as described. (3.) The described process of drying liquid eggs, or parts of egg, or liquid mixtures of eggs or parts of egg and other substances, which consists in exposing such liquids or mixtures in a very thin uniform film or layer upon a suitable surface heated in excess of 212° Fahr., and in removing the dry products therefrom before they are injured.  
(Specification, 2s. 6d.)

An asterisk (\*) denotes the complete specification of an invention for which a provisional specification has been already lodged.

NOTE.—The cost of copying the specification and drawing has been inserted after the notice of each application. An order for a copy or copies should be accompanied by a post-office order or postal note for the cost of copying.

The date of acceptance of each application is given after the number.

Extracts from the drawings accompanying the foregoing complete specifications appear at the end of this *Gazette*.

F. WALDEGRAVE,  
Registrar.

*Provisional Specifications accepted.*

Patent Office,  
Wellington, 24th January, 1906.

APPLICATIONS for Letters Patent, with provisional specifications, have been accepted as under:—

- No. 20216.—L. Healy and E. C. Hopkinson, wheel-jack.
- No. 20246.—H. J. Wallis, submarine boat.
- No. 20273.—A. Schultze, typewriter carriage and spacer.
- No. 20364.—A. Williams, funnel.
- No. 20372.—J. A. E. Loudon, ice-chest.
- No. 20429.—S. C. Heale, picture-frame.

No. 20438.—G. J. Wallace and G. Cooper, metal carting and spreading wagon.

No. 20467.—S. B. Forscutt, funnel.

No. 20470.—H. Cleary, cream cooler and holder.

No. 20479.—D. Moore, seed-sower.

No. 20490.—J. F. Lutjohann, raising surface of billiard-table.

No. 20491.—T. J. Heskett, iron and steel manufacture.

No. 20492.—R. Dunne, match-striker.

No. 20493.—J. McNarry, spring key.

No. 20497.—H. House, grain-riddle.

No. 20498.—J. J. Macky, trolley-wheel guide.

No. 20499.—A. R. Angus, railway-car running-gear.

No. 20501.—I. Sutherland, roundabout.

No. 20508.—R. A. Bradbury, sleeve of waterproof coat.

No. 20509.—S. B. Forscutt, clamping mattress-frame to bedstead.

No. 20510.—R. R. Douglas, dredge tumbler and shaft.

No. 20512.—J. S. Kirkpatrick and C. Starr, railway turn-table.

No. 20522.—M. Juriss, night-signalling apparatus.

No. 20529.—T. Brazil-Dineen, back of detachable leaf-ledge.

No. 20530.—H. P. Keogh, treatment of sulphide ores containing zinc.

No. 20532.—G. Carrington, wire twister and strainer.

No. 20538.—T. Harkins, sheet-metal receptacle.

No. 20541.—T. M. O'Rourke, scraper attachment to brush.

No. 20544.—J. Dalton, protecting river-banks.

No. 20546.—D. Nield, steam-engine regulator. (G. Hodgson.)

No. 20547.—J. W. Henderson, tire-protector.

No. 20550.—A. T. C. Firth, concrete metal-plated sleeper.

No. 20552.—A. B. Wilson, line-spacer for typewriter.

No. 20554.—United Shoe Machinery Company, sole-pressing pad. (H. A. Davenport.)

No. 20555.—J. H. Booth, turn-coupling for vehicle.

No. 20558.—E. Henshall, motor-driven friction-hoist.

No. 20559.—H. E. McDonald, spanner.

No. 20560.—H. E. McDonald, pipe-wrench.

No. 20561.—H. C. Bell, hat and clothing cabinet.

No. 20562.—H. E. McDonald, pipe-wrench.

NOTE.—Provisional specifications cannot be inspected, or their contents made known by this office in any way, until the complete specifications in connection therewith have been accepted.

#### Letters Patent sealed.

LIST of Letters Patent sealed from the 11th to the 24th January, 1906, inclusive:—

No. 16383.—F. C. Griffiths, skylight.

No. 18461.—F. R. Hyde, acetylene-generator.

No. 18490.—J. H. A. McPhee, reducing iron-ore.

No. 18515.—B. J. Mouat, draught-regulator.

No. 18522.—J. S. Palmer, account-book.

No. 18541.—C. E. Bailey, spring-equaliser for vehicle.

No. 18564.—A. McLean, tire protector.

No. 18576.—M. Ryan, god-saving plush.

No. 18619.—H. Seifert, flax milling machinery.

No. 18710.—R. L. H. Murray, acetylene-generator.

No. 18740.—W. W. Bruce, fire-proof structure. (J. R. Little.)

No. 18749.—W. J. Rae, time-table. (E. T. Luke.)

No. 18751.—United Shoe Machinery Company, trimming and concaving heels. (B. F. Mayo.)

No. 18838.—W. P. Wynne and J. H. Grant, treating anti-mony gold ores.

No. 19890.—J. D. Wolf, separation of metals.

No. 19923.—F. A. Winter, cutting dovetail mortices.

No. 19926.—G. Lindsey, cask filer.

No. 19927.—S. R. Bellingham, animal-feed box.

No. 19986.—E. T. Pollard and E. L. Behrmann, cigarette-machine.

No. 20027.—Henry R. Worthington, centrifugal pump. (F. Ray.)

No. 20033.—Henry R. Worthington, centrifugal pump. (F. Ray.)

#### Letters Patent on which Fees have been paid.

[NOTE.—The dates are those of the payments.]

#### SECOND-TERM FEES.

NO. 14134.—H. Johnson and G. W. Frier, manufacturing steel. 17th January, 1906.

No. 14484.—J. F. Rose, river-bank, &c., protection. 20th January, 1906.

No. 14487.—I. A. Plummer, pattern for drafting garments. 18th January, 1906.

No. 14501.—The British Westinghouse Electric and Manufacturing Company, Limited, shaft bearings. (W. E. Hughes—C. Robinson.) 18th January, 1906.

No. 14545.—A. A. Francis, ore-concentrator. 17th January, 1906.

No. 14720.—The Conversion Company (Billings Machinery and Process), Limited, manufacture of beer. (L. Briant and H. C. Rigand.) 18th January, 1906.

#### THIRD-TERM FEES.

No. 11322.—Nernst Electric Light, Limited, electric incandescent lamp. (W. Nernst.) 18th January, 1906.

No. 11353.—The British Westinghouse Electric and Manufacturing Company, Limited, electric switch. (H. P. Davis and E. F. Harder.) 18th January, 1906.

No. 11354.—The British Westinghouse Electric and Manufacturing Company, Limited, electrical distribution. (B. G. Lamme.) 18th January, 1906.

No. 11355.—The British Westinghouse Electric and Manufacturing Company, Limited, arc lamp. (H. P. Davis and F. Conrad.) 18th January, 1906.

No. 11356.—The British Westinghouse Electric and Manufacturing Company, Limited, phase-regulator and alternating-current apparatus. (W. E. Hughes—E. M. Tingley and M. W. Shallenberger.) 18th January, 1906.

#### Request for Correction of Clerical Error.

NO. 20326.—T. H. Hawkins—Generating and storing acetylene gas (advertised in Supplement to *New Zealand Gazette*, No. 2, of the 11th January, 1906).

To strike out the sentence, "At the same time the water which was forced back into the chamber 5 will again flow through the pipe 19 to the burner 9," lines 12, 13, and 14, page 7, of specification.

#### Applications for Letters Patent abandoned.

LIST of applications, with which provisional specifications only have been filed, abandoned (*i.e.*, complete specifications not lodged), from the 11th to the 24th January, 1906, inclusive:—

No. 19189.—C. H. Culpan, boat-rowlock.

No. 19190.—A. J. Nicholas and H. Lee, butter-worker.

No. 19194.—D. Holderness, plough-attachment.

No. 19197.—H. J. Baker and R. Onyon, stain-removing preparation.

No. 19201.—F. A. Alcock, billiard-table.

No. 19202.—N. H., E. B., and M. K. Mackenzie, horse-shoe machine.

No. 19203.—E. D. Richards, match-box. (J. A. Belk.)

No. 19204.—H. G. Clayton, furnace for steam-boiler.

No. 19206.—F. J. Watson, cooking-range attachment for burning wood.

No. 19208.—J. R. Clement, driving-gear for cycle.

No. 19212.—C. E. D. Dunn, electro-motor.

No. 19224.—W. Ashley, closet-pan.

No. 19225.—H. M. Alexander, cap for gas-post.

No. 19227.—A. Greig, rule, square, and saw.

No. 19228.—E. Hayes, standard-jack.

No. 19230.—A. J. Cuming, non-porous material.

No. 19231.—A. J. Cuming, butter, &c., package.

No. 19232.—A. J. Cuming, box or package.

No. 19233.—J. M. Hannon, ejector dust-extractor.

No. 19234.—E. M. Edkins, feed-mechanism for saw-benches.

No. 19236.—G. Barnes, window-curtain suspender.

No. 19237.—S. B. Hunter, H. Wilson, and E. J. Rigby, percussion drill.

No. 19241.—J. Chatham, belt-fastening.

No. 19243.—J. Pomeroy, flax-stripper.

No. 19244.—F. V. Raymond, hair-curler.

No. 19245.—J. J. Macky, curtain-hook, and fastening.

No. 19247.—B. Hancock, puncture-closure.

No. 19248.—J. Smith, drill for boring coal.

No. 19249.—M. O'Connell, horses' knee-protector.

No. 19250.—G. W. Westropp, hame-hook.

No. 19251.—G. W. Westropp, girth-pull harness.

#### Applications for Letters Patent void.

APPLICATIONS for Letters Patent void, owing to the non-acceptance of complete specifications, from the 11th to the 24th January, 1906, inclusive:—

No. 18600.—R. L. H. Murray, reflecting apparatus and advertising medium.

No. 18614.—S. Ford and J. S. Freeman, manufacture of articles from compounds of boiled tar and mineral matter.



*Applications for Letters Patent lapsed.*

**L**IST of applications lapsed, owing to Letters Patent not being sealed, from the 11th to the 24th January, 1906, inclusive:—

- No. 17940.—J. A. Gilruth, lactic fermentation.
- No. 18085.—G. Morgan, book holder and support.
- No. 18176.—J. H. Noonan and T. B. O'Connor, billiard-rest.
- No. 18182.—A. J. McPharlin, device for catching kaurigum.
- No. 18198.—J. Hercus and W. McLennan, coal-saver and draught-regulator for register-grate.

*Letters Patent void.*

**L**ETTERS Patent void through non-payment of renewal fees, and through expiry of term of fourteen years, from the 11th to the 24th January, 1906:—

**THROUGH NON-PAYMENT OF SECOND-TERM FEES.**

- No. 14120.—A. C. Murray, frying-pan.
- No. 14126.—F. C. Crean, manufacture of iron or iron-alloys.
- No. 14127.—L. W. Luellen, voting-machine.
- No. 14128.—G. W. Shailer and A. Burges, hos.
- No. 14129.—The Linotype Company, Limited, printing-machines. (E. Waters, jun.—E. T. Cleathero.)
- No. 14130.—A. F. Hadecke, concave.
- No. 14132.—O. Andrews, milk-can.
- No. 14143.—F. Gale and J. Hemphill, plough-attachments.
- No. 14145.—G. Hughan, milk-can.
- No. 14147.—A. Waldbaur, heating liquids.
- No. 14156.—R. M. Scott, ships and their screw propellers.

**THROUGH NON-PAYMENT OF THIRD-TERM FEES.**

- No. 11057.—L. Hooker, incandescent burner.
- No. 11072.—Edison Ore-milling Syndicate, Limited, briquette-making. (T. A. Edison.)
- No. 11074.—Volenite, Limited, insulating-material. (F. Lamplough.)
- No. 11088.—H. House, grain and seed cleaner.

**THROUGH EXPIRY OF TERM.**

- No. 5395.—H. A. Stuart and C. R. Binney, engine.
- No. 5396.—Massey-Harris Company, Limited, grain-binder. (E. Waters—A. Stark.)
- No. 5406.—C. McLeod, reaper-and-binder.

*Designs expired.*

**T**HE copyright in the following designs has expired:—  
Nos. 127 and 128.—M. C. Douglas, of Wellington, New Zealand. Classes 5 and 12. (Book-marker and badge.)

*Applications for Registration of Trade Marks.*

Patent Office,  
Wellington, 24th January, 1906.

**A**PPPLICATIONS for registration of the following trade marks have been received. Notice of opposition to the registration of any of these applications may be lodged at this office within two months of the date of this *Gazette*. Such notice must be in duplicate, and accompanied by a fee of £1.

No. of application: 5180.  
Date: 23rd February, 1905.

TRADE MARK.



The essential particular of this trade mark is the device of the boar's head, bearing a scroll upon which is the word "Preservaline"; and any right to the exclusive use of the added matter is disclaimed.

B

The applicants claim that the said trade mark has been in use by them in respect of the articles mentioned before the 1st January, 1890.

NAME.

THE PRESERVALINE MANUFACTURING COMPANY, of 41 to 45, Warren Street, New York, State of New York, United States of America, Manufacturers.

No. of class: 2.

Description of goods: Preservatives, including antiseptics, bactericides, anti-ferments, insecticides, anti-zymotics, disinfectants, and the like.

No. of application: 5470.

Date: 22nd August, 1905.

TRADE MARK.



The applicant claims that the said trade mark has been used by his firm in respect of the articles mentioned for twenty-four years before the 2nd day of September, 1889.

NAME.

GEORGE HERBERT BROWN, trading as "John S. Brown and Sons," of Royal Ulster Works, 12, Bedford Street, Belfast, Ireland, Manufacturers.

No. of class: 27.

Description of goods: All linen goods included in this class.

(By consent.)

No. of application: 5685.

Date: 14th December, 1905.

TRADE MARK.



The applicants claim that the said trade mark has been used by them and their predecessors in business in respect of the said goods since the year 1861.

NAME.

WIGGINS, TEAPE, AND CO., LIMITED, of 10, Aldgate, London, England, Paper-makers.

No. of class: 39.

Description of goods: Paper.

No. of application : 5567.  
Date : 12th October, 1905.

TRADE MARK.

**A1**

In ye myddel of ye cite of Peterborough, where standeth theirre factors of ye ryghte goods

Olde Englishe Mustarde Farrow & Co.

doe by themselves grow a greate and mightie lot of ye seede, and alle theirre naybors doe lykewise sell unto them, for alle ye worlde dothe finde supplye of hate-some, pungente, and tooth-some, condiments from ye pleasante landes between ye Humber and ye Nene.



Buy Mustard of the Growers

**FARROW'S**

GRIFFIN & GLOBE

**MUSTARD**

Double Superfine Condiment.

**Farrow's**



NOTICE!  
THIS  
**MUSTARD**  
is an  
Admixture of Pure  
Mustard with Farina  
AND CHOICE CONDIMENTS.  
SALE OF FOOD & DRUGS ACT. 38 & 39  
VIC. CH. 63.  
J. Farrow & Co.  
Peterborough  
ENGLAND.

**Farrow's**

**A1**

QUALITY STRENGTH PURITY

**Mustard**

The essential particulars of this trade mark are the combination of devices, the words "Griffin and Globe," and the fac-simile signature; and any right to the exclusive use of the added matter is disclaimed.

NAME.

JOSEPH FARROW, trading as "Farrow and Co." and as "J. Farrow and Co.," of Carlton Works, Old Fletton, near Peterborough, England, Mustard and Mushroom-ketchup Manufacturer.

No. of class : 42.  
Description of goods : Mustard.

No. of application : 5686.  
Date : 14th December, 1905.

TRADE MARK.  
The word  
**HERCULES.**

NAME.  
WIGGINS, TEAPE, AND CO., LIMITED, of 10, Aldgate, London, England, Paper-makers.

No. of class : 39.  
Description of goods : Paper.

No. of application : 5687.  
Date : 14th December, 1905.

TRADE MARK.  
The word  
**CONQUEROR**

The applicants claim that the said trade mark has been used by them and their predecessors in business in respect of the said goods since at least the month of Angus', 1889.

NAME.  
WIGGINS, TEAPE, AND CO., LIMITED, of 10, Aldgate, London, England, Paper-makers.

No. of class : 39.  
Description of goods : Paper.

No. of application : 5694.  
Date : 22nd December, 1905.

TRADE MARK.  
The word  
**BUNGALOW.**

NAME.  
BOND AND BELL, of Commerce Street, Auckland, in the Colony of New Zealand, Produce-merchants.

No. of class : 42.  
Description of goods : Tea and other substances used as food or as ingredients in food.

No. of application : 5708.  
Date : 6th January, 1906.

TRADE MARK.  
The word  
**BRADES C<sup>o</sup>**

The applicants claim that the above trade mark has been used by them and their predecessors in business in respect of the goods mentioned for five years and upwards before the 2nd September, 1889.

NAME.  
WILLIAM HUNT AND SONS, The Brades, Limited, of Brades Steel Works, near Birmingham, England, Manufacturers.

No. of class : 12.  
Description of goods : Edge tools.

No. of application : 5709.  
Date : 6th January, 1906.

TRADE MARK.

(The mark as shown in preceding notice, No. 5708.)

The applicants claim that the above trade mark has been used by them and their predecessors in business in respect of the goods mentioned for five years and upwards before the 2nd September, 1889.

NAME.

WILLIAM HUNT AND SONS, The Brades, Limited, of Brades Steel Works, near Birmingham, England, Manufacturers.

No. of class : 13.

Description of goods : Tools and implements included in this class.

No. of application : 5710.  
Date : 6th January, 1906.

TRADE MARK.



The applicants claim that the above trade mark has been used by them and their predecessors in business in respect of the goods mentioned for five years and upwards before the 2nd September, 1889.

NAME.

WILLIAM HUNT AND SONS, The Brades, Limited, of Brades Steel Works, near Birmingham, England, Manufacturers.

No. of class : 12.

Description of goods : Edge tools.

No. of application : 5711.  
Date : 6th January, 1906.

TRADE MARK.

(The mark as shown in preceding notice, No. 5710.)

The applicants claim that the above trade mark has been used by them and their predecessors in business in respect of the goods mentioned for five years and upwards before the 2nd September, 1889.

NAME.

WILLIAM HUNT AND SONS, The Brades, Limited, of Brades Steel Works, near Birmingham, England, Manufacturers.

No. of class : 13.

Description of goods : Tools and implements included in this class.

No. of application : 5712.  
Date : 6th January, 1906.

TRADE MARK.

HUNT & SONS

The applicants claim that the above trade mark has been used by them and their predecessors in business in respect of the goods mentioned for five years and upwards before the 2nd September, 1889.

NAME.

WILLIAM HUNT AND SONS, The Brades, Limited, of Brades Steel Works, near Birmingham, England, Manufacturers.

No. of class : 12.

Description of goods : Edge tools.

No. of application : 5713.  
Date : 6th January, 1905.

TRADE MARK.

(The mark as shown in preceding notice, No. 5712.)

The applicants claim that the above trade mark has been used by them and their predecessors in business in respect of the goods mentioned for five years and upwards before the 2nd September, 1889.

NAME.

WILLIAM HUNT AND SONS, The Brades, Limited, of Brades Steel Works, near Birmingham, England, Manufacturers.

No. of class : 13.

Description of goods : Tools and implements included in this class.

No. of application : 5716.  
Date : 10th January, 1906.

TRADE MARK.

The words

“NEW ERA.”

NAME.

BOND AND BELL, of Commerce Street, Auckland, in the Colony of New Zealand, Produce-merchants.

No. of class : 42.

Description of goods : Tea and other substances used as food or as ingredients in food.

No. of application: 5717.  
Date: 10th January, 1906.

TRADE MARK.  
The word  
**" R A T A . "**

NAME.  
BOND AND BELL, of Commerce Street, Auckland, in the Colony of New Zealand, Produce merchants.

No. of class: 42.  
Description of goods: Teas and other food-substances, excepting butter and dairy-produce and goods of same description.

No. of application: 5719.  
Date: 10th January, 1906.

TRADE MARK.  
The word  
**SPARKLOGENE**

NAME.  
AERATORS, LIMITED, of 55, Broad Street Avenue, London, England (registered offices), and Angel Road, Edmonton, London aforesaid, "Sparklets" Manufacturers.

No. of class: 8.  
Description of goods: Seltzogenes and analogous vessels included in Class 8 for aerated waters and other liquids.

No. of application: 5720.  
Date: 12th January, 1906.

TRADE MARK.  
The word  
**LAFAYETTE.**

NAME.  
WILLIAM HENRY BARTLETT, trading as "The Lafayette Studios," of Queen Street, Auckland, in the Provincial District of Auckland, in the Colony of New Zealand, Photographers.

No. of class: 39.  
Description of goods: Paper, such as envelopes and playing-cards; also photographic mounts, photographs, and photographic enlargements.

No. of application: 5721.  
Date: 12th January, 1906.

TRADE MARK  
**MEL-FAR.**  
S. P.

The essential particulars of this trade mark are the words invented "Mel-Far"; and any right to the exclusive use of the letters "S. P." or the line is disclaimed.

NAME.  
JOSEPH JAMES MACKY, of Victoria Arcade, Auckland, in the Colony of New Zealand, Commission Agent.

No. of class: 42.  
Description of goods: Cereals and farinaceous foods.

No. of application: 5724.  
Date: 13th January, 1906.

TRADE MARK.  
The word  
**DUX.**

NAME.  
NEILL AND Co., LIMITED, of Christchurch, in the Colony of New Zealand, Merchants.

No. of class: 50.  
Description of goods: Metal-polish.

No. of application: 5726.  
Date: 13th January, 1906.

TRADE MARK.  
The word  
**USHIMA.**

NAME.  
MARIA McLELLAN, of Jetty Street, Dunedin, in the Colony of New Zealand, Married Woman.

No. of class: 50.  
Description of goods: Plate and glass polish.

No. of application: 5727.  
Date: 13th January, 1906.

TRADE MARK.



The essential particulars of this trade mark are a bell, a sheaf of barley surrounded by a sprig of hops; and applicants disclaim any right to the exclusive use of the added matter, except as regards their name.

NAME.

BELL AND Co., of Palmerston North, in the Colony of New Zealand, Mineral-water and Cordial Manufacturers.

No. of class: 42.

Description of goods: A non-intoxicating brewed ale.

No. of application: 5728.

Date: 13th January, 1906.

TRADE MARK.

The word

**BOSCAR.**

NAME.

JOHN ALLEN PIKE, of Princes Street, Dunedin, in the Colony of New Zealand, Tie-manufacturer.

No. of class: 38.

Description of goods: Articles of clothing.

No. of application: 5729.

Date: 13th January, 1906.

TRADE MARK.

The words

**FIRST WATER.**

NAME.

WATSON AND MCGILL, of Petersburg, Virginia, in the United States of America, Tobacco-manufacturers.

No. of class: 45.

Description of goods: Tobacco, manufactured or unmanufactured.

F. WALDEGRAVE,  
Registrar.

*Trade Marks registered.*

**L**IST of Trade Marks registered from the 11th January to the 24th January, 1906, inclusive:—

No. 4369; 5581.—B. Suarez; Class 45. (*Gazette* No. 96, of the 2nd November, 1905.)

No. 4370; 5591.—Gollin and Co. Proprietary, Limited; Class 5. (*Gazette* No. 96, of the 2nd November, 1905.)

No. 4371; 5603.—R. W. Hudson; Class 47. (*Gazette* No. 96, of the 2nd November, 1905.)

No. 4372; 5604.—R. W. Hudson; Class 48. (*Gazette* No. 96, of the 2nd November, 1905.)

No. 4373; 5585.—International Harvester Company of America; Class 50. (*Gazette* No. 96, of the 2nd November, 1905.)

No. 4374; 5586.—International Harvester Company of America; Class 50. (*Gazette* No. 96, of the 2nd November, 1905.)

No. 4375; 5280.—H. A. Twiby, J. H. Windeler, and P. Herrmann; Class 50. (*Gazette* No. 96, of the 2nd November, 1905.)

No. 4376; 5512.—Bycroft, Limited; Class 42. (*Gazette* No. 85, of the 21st September, 1905.)

No. 4377; 5452.—W. Wright and Co., Limited; Class 42. (*Gazette* No. 78, of the 24th August, 1905.)

No. 4378; 5124.—S. J. Evans; Class 3. (*Gazette* No. 6, of the 26th January, 1905.)

No. 4379; 5125.—S. J. Evans; Class 3. (*Gazette* No. 6, of the 26th January, 1905.)

No. 4380; 5481.—Maspero Frères, Limited; Class 45. (*Gazette* No. 88, of the 5th October, 1905.)

No. 4381; 5482.—Maspero Frères, Limited; Class 45. (*Gazette* No. 88, of the 5th October, 1905.)

No. 4382; 5483.—Maspero Frères, Limited; Class 45. (*Gazette* No. 88, of the 5th October, 1905.)

No. 4383; 5484.—Maspero Frères, Limited; Class 45. (*Gazette* No. 88, of the 5th October, 1905.)

No. 4384; 5485.—Maspero Frères, Limited; Class 45. (*Gazette* No. 88, of the 5th October, 1905.)

No. 4385; 5568.—The Hart Manufacturing Company; Class 6. (*Gazette* No. 91, of the 19th October, 1905.)

No. 4386; 5622.—Sargood, Son, and Ewen; Class 38. (*Gazette* No. 101, of the 16th November, 1905.)

*Trade Mark Renewal Fees paid.*

**F**EEES paid for the renewal of the undermentioned trade marks:—

For fourteen years from the 1st January, 1904.

No. 82/3349.—E. F. Ridgway, of Sheffield, England. T. Wilson.) 8th January, 1906.

For fourteen years from the date first mentioned.

Nos. 389/512, 391/513, and 392/514.—13th January, 1906.—Austin Walsh and Co., of Auckland, New Zealand. 12th January, 1906.

No. 402/365.—29th January, 1906.—H. and J. Knox, Limited, of Kilbirnie, Scotland. 20th January, 1906.

No. 405/317.—13th February, 1906.—Southern and Richardson, of Sheffield, England. 18th January, 1906.

*Subsequent Proprietor of Trade Mark registered.*

[NOTE.—The name of the former proprietor is given in brackets. The date is that of registration.]

No. 82/3349.—Edward Frederic Ridgway, trading as John Wilson, of Sycamore Street, Sheffield, England, Manufacturer. [T. Wilson.] 12th January, 1906.

*Restoration of Trade Mark to the Register.*

**T**HE following trade mark has been restored to the Register:—

No. 82/3349.—T. Wilson, trading as J. Wilson, of Sheffield, England. 12th January, 1906.

*Trade Marks removed from the Register.*

**T**RADE Marks removed from the Register, owing to the non-payment of the renewal fees, from the 10th to the 24th January, 1906, inclusive:—

No. 337/258.—12th October, 1891.—Whittingham Bros. and Instone, of Invercargill, N.Z. Class 42.

No. 338/288.—14th October, 1891.—Lang and Thoneman, of Melbourne, Victoria. Class 42.

No. 342/452.—16th October, 1891.—Chandon and Co., of Epernay, France. Class 43.

No. 348/284.—19th October, 1891.—Thomson and Beattie, of Invercargill, N.Z. Class 38.

No. 350/263.—24th October, 1891.—Whittingham Bros. and Instone, of Invercargill, N.Z. Class 42.

*Advertisements.*

**A**DVERTISEMENTS are charged at the rate of 6d. per line for the first insertion, and 3d. per line for the second and any subsequent insertion.

All advertisements should be written on one side of the paper, and signatures, &c., should be written in a legible hand.

The number of insertions required must be written across the face of the advertisement.

Communications should be addressed to the Government Printer, Wellington, to whom post-office money-orders should be made payable. Cheques should be crossed "Public a/c," and exchange added.

Postage or duty stamps cannot be received in payment from any place at which postal notes or post-office orders are issued.

Prepayment may be demanded in any case. In order to prevent delay in publication a sufficient remittance should accompany every advertisement. Any surplus will be returned with receipted account.

*Alphabetical List of Applicants for Letters Patent for Quarter ending 31st December, 1905.*

THIS list includes also (1) applications lodged prior to but gazetted during the quarter, (2) complete specifications following provisional specifications accepted and gazetted during the quarter. Where the number and date of the Gazette are omitted, the application has not yet been accepted.

\* Denotes a provisional specification. † Denotes a prior date under section 106 of "The Patents, Designs, and Trade Marks Act, 1889."

Name, Address, and Invention.	Application.		Gazette.	
	No.	Date.	No.	Date.
Adamson, J. A., Orepuki, N.Z. Potato-harvester. . . . .	20155	5 Oct.	..	..
Aktiebolaget Lux, Stockholm, Sweden. (See E. G. A. Brattstrom, No. 20263.)				
Aktiebolaget Separator, Stockholm, Sweden. Separator. (B. Ljungstrom)	20311	14 Nov.	..	2 11 Jan., 1906.
Aktiebolaget Separator, Stockholm, Sweden. Separator. (B. Ljungstrom)	20455	14 Dec.	..	6 25 Jan., 1906.
Allan, A. T. W., and another, Thames, N.Z. Gold-saving table, &c.	20115	25 Sept.	..	106 1 Dec.*
Allen, A. D., and another, Wellington, N.Z. Trolley-head ..	20376	27 Nov.	..	110 14 Dec.*
Allen, A. H., Worcester, Eng. Painters' lamp .. .. .	20357	23 Nov.	..	.. ..
Ambler, G. A., Winchester, U.S.A. (See United Shoe Machinery Company, No. 20453.)				
American Seeding-machine Company, Jersey City, U.S.A. Distributor for seeding-machine. (F. G. Colley and E. Baseman)	20217	25 Oct.	..	106 1 Dec.
Andersen, P., Hadersleben, Germany. Milking-machine. . .	20170	12 Oct.	..	106 1 Dec.
Anderson, J., and another, Dunedin, N.Z. Liquid-measure ..	20402	29 Nov.	..	2 11 Jan., 1906.
Anderson, T. H., Christchurch, N.Z. Chamber .. .. .	20399	1 Dec.	..	.. ..
Anderson, W., jun., Sydney, N.S.W. Supplying liquid fuel to furnace	20161	12 Oct.	..	101 16 Nov.
Andreas, E. P., Leura, N.S.W. Acetylene-gas generator .. ..	20038	14 Sept.	..	96 2 Nov.
Andrews, F. O., and another, Christchurch, N.Z. Poultry-feeder ..	20428	8 Dec.	..	.. ..
Andrews, O., Levin, N.Z. Vulcanizing tyres, &c. . . . .	20480	21 Dec.	..	.. ..
Angus, A. R., Neutral Bay, N.S.W. Railway-brake .. .. .	20387	29 Nov.	..	110 14 Dec.*
Angus, A. R., Neutral Bay, N.S.W. Railway-brake .. .. .	20388	29 Nov.	..	110 14 Dec.*
Angus, A. R., Neutral Bay, N.S.W. Railway-brake .. .. .	20389	29 Nov.	..	110 14 Dec.*
Angus, A. R., Neutral Bay, N.S.W. Running-gear for railway-car ..	20448	14 Dec.	..	2 11 Jan., 1906.*
Angus, A. R., Neutral Bay, N.S.W. Running-gear for railway-car ..	20449	14 Dec.	..	2 11 Jan., 1906.*
Angus, A. R., Neutral Bay, N.S.W. Running-gear for railway-car ..	20485	21 Dec.	..	2 11 Jan., 1906.*
Angus, A. R., Neutral Bay, N.S.W. Railway-car gear .. .. .	20499	23 Dec.	..	6 25 Jan., 1906.*
Apostoloff, S. B., London, Eng. Bread-making .. .. .	20312	14 Nov.	..	2 11 Jan., 1906.
Arcanum, Limited, The, London, Eng. Manufacture of mineral water. (L. J. Moser)	20349	22 Nov.	..	2 11 Jan., 1906.
Arnot, B., Masterton, N.Z. Cooking-utensil for gas-burner ..	20160	10 Oct.	..	106 1 Dec.
Ashton, O., Lawrence, U.S.A. (See United Shoe Machinery Company, Nos. 19050 and 19051.)				
Atkinson, L., Christchurch, N.Z. Operating railway-switch ..	20272	2 Nov.	..	106 1 Dec.*
Baldwin, E. S., and another, Wellington, N.Z. Making bread. (Deutsche Dauerbrot Gesellschaft)	18806	19 Dec., 1903†	..	110 14 Dec.
Baldwin, J. D., Gore, N.Z. Hanging pictures .. .. .	20404	1 Dec.	..	2 11 Jan., 1906.*
Baldwin, P. E., Palmerston North, N.Z. Flax drying and bleaching	20304	11 Nov.	..	106 1 Dec.*
Banks, S., and another, Aratapu, N.Z. Cool-safe .. .. .	20495	22 Dec.	..	.. ..
Barlow, J. L., and another, Wellington, N.Z. Spouting-bracket ..	19411	1 May	..	2 11 Jan., 1906.
Barnes, R., Fitzroy, Vic. Boot or shoe heel .. .. .	20484	21 Dec.	..	.. ..
Barnett, D. M., Melbourne, Vic. Iron-stand .. .. .	20168	12 Oct.	..	101 16 Nov.
Barrett, E., Brunswick, N.Z. Churn and butter-washer .. ..	20481	21 Dec.	..	.. ..
Barry, H. P., Waihi, N.Z. Lining for tubemills, &c. . . . .	20436	9 Dec.	..	2 11 Jan., 1906.*
Baseman, E., and another, Macedon, U.S.A. (See American Seed ing-machine Company, No. 20217.)				
Baskville, A. H., Wellington, N.Z. Cuff-protector and blotter ..	20150	6 Oct.	..	106 1 Dec.*
Baxter, J., Dunedin, N.Z. Sash-raiser and lock .. .. .	19696	17 Oct.	..	96 2 Nov.*
Beamish, W., Cromwell, N.Z. (See J. R. Park, No. 20335.)				
Beckwith, A. J., and another, Melbourne, Vic. Gold-extraction. (J. C. Clancy)	20133	5 Oct.	..	106 1 Dec.
Behrmann, E. L., and another, London, Eng. (See British-American Machinery Company, Limited, No. 20419.)				
Beldam, A., and others, London, Eng. Packing for rods and plungers. (G. H. Robinson)	20353	22 Nov.	..	2 11 Jan., 1906.
Beldam, C. A., and others, London, Eng. Packing for rods and plungers. (G. H. Robinson)	20353	22 Nov.	..	2 11 Jan., 1906.
Beldam, G. W., and others, London, Eng. Packing for rods and plungers. (G. H. Robinson)	20353	22 Nov.	..	2 11 Jan., 1906.
Bellens, C., and another, Neuilly-Sur-Seine, France. (See W. E. Hughes, No. 20067.)				
Bennett, A. E. G., Fitzroy, Vic. Shirt-cuff .. .. .	20310	14 Nov.	..	.. ..
Bennett, C. A., and others, Auckland, N.Z. Washing-boiler ..	20265	30 Oct.	..	.. ..
Bewick, Morsing, and Co., Kalgoorlie, W.A., and London, Eng. Decantation of cyanide, &c., solutions. (P. Fitzgerald.)	20500	28 Dec.	..	.. ..
Billens, A., Christchurch, N.Z. Plant-sprayer .. .. .	20367	18 Nov.	..	2 11 Jan., 1906.
Billing, A. F., Auckland, N.Z. Finger-print album .. .. .	20303	11 Nov.	..	110 14 Dec.*
Bissaker, C. H., Cootamundra, N.S.W. Acetylene-gas generator ..	20071	21 Sept.	..	96 2 Nov.
Black, H. G., and others, Wellington, N.Z. Vehicle-wheel lock ..	20237	27 Oct.	..	106 1 Dec.*
Blackburn, F., and another, Auckland, N.Z. Non-refillable bottle ..	20047	14 Sept.	..	106 1 Dec.
Black, R., and others, Wellington, N.Z. Vehicle-wheel lock ..	20237	27 Oct.	..	106 1 Dec.*

ALPHABETICAL LIST OF APPLICANTS FOR LETTERS PATENT—continued.

Name, Address, and Invention.	Application.		Gazette.	
	No.	Date.	No.	Date.
Blanchard, A., and others, London, Eng. Incandescent burner ..	20487	21 Dec.	..	..
Bock, P., Auckland, N.Z. Detergent powder .. ..	19396	26 April	88	5 Oct.*
Böhm, H., Berlin, Germany. Preserve-can .. ..	18624	20 Oct, 1904	96	2 Nov.
Bond, L. A., Logansport, U.S.A. (See J. R. Park, No. 20350.)				
Bond, R. W., and another, New Plymouth, N.Z. Cow-bail ..	20458	15 Dec.	2	11 Jan., 1906.*
Bond, W. A., Lynnfield, U.S.A. (See United Shoe Machinery Company, No. 20450.)				
Border, A. J., Christchurch, N.Z. Station-indicator .. ..	19709	10 July	110	14 Dec.
Bowser, W. H., Brisbane, Queensland. Scaffolding-cramp ..	20185	17 Oct.	101	16 Nov.*
Bradbury, R. A., Christchurch, N.Z. Sleeve of waterproof coat ..	20508	30 Dec.	6	25 Jan., 1906.*
Bradley, S. A., and another, Kilmore, Vic. Fruit-case .. ..	20338	20 Nov.	..	..
Brady, W., and another, Te Puke, N.Z. Axle for wheels .. ..	20226	26 Oct.	106	1 Dec.*
Brain, W. B., and another, Auckland, N.Z. Motor-car, &c. ..	20382	25 Nov.	110	14 Dec.*
Brain, W. B., Auckland, N.Z. Tonic and antidote .. ..	20381	23 Nov.	..	..
Brattstrom, E. G. A., Melbourne, Vic. Oil-lamp. (Aktiebolaget Lux—S. Carlson)	20263	1 Nov.	110	14 Dec.
Brewster, W., Carterton, N.Z. Moth-destroyer .. ..	20159	10 Oct.	96	2 Nov.*
British-American Machinery Company, Limited, The, London, Eng. Cardboard-box making and filling. (E. T. Pollard and E. L. Behrmann)	20419	7 Dec.	2	11 Jan., 1906.
Brittan, F. W., and another, London, Eng. Nut-lock .. ..	20124	4 Oct.	101	16 Nov.
Broughton, E., Auckland, N.Z. Game-scoring machine .. ..	20302	7 Nov.	106	1 Dec.*
Brown, A. E., and another, Christchurch, N.Z. Station-indicator ..	20336	20 Nov.	2	11 Jan., 1906.
Brown, F. C., Komata, N.Z. Slimes-filter .. ..	20298	8 Nov.	106	1 Dec.*
Brown, F. J., Ngairi, N.Z. Cow-bail .. ..	18867	16 Dec., 1904	96	2 Nov.
Brown, F. J., Ngairi, N.Z. Leg-rope .. ..	18868	16 Dec., 1904	96	2 Nov.
Brown, T. F., and others, Coburg, Vic. Studless house .. ..	19891	17 Aug.	110	14 Dec.
Bruce, J., Alexandra, N.Z. Spring catch .. ..	20323	14 Nov.	2	11 Jan., 1906.*
Bruer, J. J., Adelaide, S.A. Piano .. ..	20069	21 Sept.	101	16 Nov.
Buckeridge, H., Richmond, N.Z. Stooking attachment to reaper and binder	20446	13 Dec.	2	11 Jan., 1906.*
Buckley, D., Rakai, N.Z. Skeith-buckle .. ..	20205	18 Oct.	110	14 Dec.
Bunting, J. C., and others, Melbourne, Vic. Chaff-cutter .. ..	20291	10 Nov.	101	16 Nov.*
Burgoynes, E. A. H., and others, London, Eng. Incandescent burner	20487	21 Dec.	..	..
Burgoynes, L. H., Auckland, N.Z. Game .. ..	20373	25 Nov.	110	14 Dec.*
Burke, R. E., and another, Timaru, N.Z. Fire-reel carriage attached to cycle, &c.	20409	6 Dec.	2	11 Jan., 1906.*
Burn, R., and another, London, Eng. (See Machine-made Casks, Limited, No. 20505-6.)				
Burns, J., Wyndham, N.Z. Combination tool .. ..	20211	21 Oct.	106	1 Dec.*
Butters, H., Lethangie North, N.Z. Fencing-dropper .. ..	20264	1 Nov.	106	1 Dec.
Caithness, D., and another, Waikaka, N.Z. Dredge-anchor ..	20397	1 Dec.	2	11 Jan., 1906.*
Cameron, E. A., and another, Invercargill, N.Z. Travelling-race for sheep, &c.	20112	23 Sept.	96	2 Nov.*
Cameron, W. A. H., and another, Wellington, N.S.W. Glass-washing machine	20294	10 Nov.	110	14 Dec.
Campbell, A., Sutton, N.Z. Animal-cover fastening .. ..	20191	4 Oct.	..	..
Campbell, A., Sutton, N.Z. Pocket .. ..	20192	4 Oct.	96	2 Nov.*
Campbell, W., Ashburton, N.Z. Bread-tin .. ..	20127	4 Oct.	96	2 Nov.*
Cannell, C., St. Mary's, Tasmania. Pump-gearing .. ..	20158	10 Oct.	101	16 Nov.*
Carlaw, J., and another, Auckland, N.Z. Fire-bridge .. ..	20398	1 Dec.	..	..
Carlson, S., Stockholm, Sweden. (See E. G. A. Brattstrom, No. 20263.)				
Carrington, G., Clive, N.Z. Pea-shelling machine .. ..	18940	11 Jan.	101	16 Nov.
Carrington, G., Clive, N.Z. Gate .. ..	18941	11 Jan.	101	16 Nov.
Catesby, A. G., and others, London, Eng. Floor-coverings ..	19127	21 Feb.	110	14 Dec.
Catesby, J. T., and others, London, Eng. Floor-coverings ..	19127	21 Feb.	110	14 Dec.
Catesby, W. E., and others, London, Eng. Floor-coverings ..	19127	21 Feb.	110	14 Dec.
Cayford, J. H., East St. Louis, U.S.A. (See E. Phillips, No. 20334.)				
Chambers, W. J., Doyleston, N.Z. Seed and manure sower ..	20318	13 Nov.	106	1 Dec.*
Chapman, A. H., Kurow, N.Z. Meat-preserving .. ..	20393	23 Nov.	..	..
Chapman, W. G., Dunedin, N.Z. Nib-ejector .. ..	20162	12 Oct.	96	2 Nov.*
Chappell, W., Puhoi, N.Z. Measuring sun's altitude, &c. ..	20299	8 Nov.	110	14 Dec.
Charlton, J. R., Christchurch, N.Z. Preventing horse from kicking	20119	30 Sept.	101	16 Nov.
Chartered Patents Company, Limited, New York, U.S.A. Type casting and setting machine. (J. R. and G. A. Pearson)	20454	14 Dec.	6	25 Jan., 1906.
Chaytor, B. T., and another, Te Puke, N.Z. Axle for wheel ..	20226	26 Oct.	106	1 Dec.*
Clancy, J. C., Melbourne, Vic (See F. Mackay and A. J. Beckwith, No. 20133.)				
Clapham, G. H., and another, Wellington, N.Z. Spouting-bracket	19411	1 May	2	11 Jan., 1906.
Clark, B., Sydney, N.S.W. Meat-extract apparatus .. ..	20143	2 Oct.	101	16 Nov.
Clark, B., Sydney, N.S.W. Meat-preserving process .. ..	20144	2 Oct.	101	16 Nov.
Clark, D., Bairnsdale, Vic. Gold-refining process .. ..	20169	12 Oct.	96	2 Nov.*
Clark, R. O., Hobsonville, N.Z. Earthenware kiln .. ..	20156	5 Oct.	110	14 Dec.*
Clark, R. O., Hobsonville, N.Z. Straightening earthenware pipes ..	20193	16 Oct.	101	16 Nov.*
Clark, R. O., Hobsonville, N.Z. Flanging-machine for earthenware pipes	20210	19 Oct.	96	2 Nov.*
Cleary, H., Whangarei, N.Z. Cream cooler and holder .. ..	20470	19 Dec.	6	25 Jan., 1906.*
Cliff, F. E., and others, Melbourne, Vic. Chaff-cutter .. ..	20291	10 Nov.	101	16 Nov.*
Cliff, H., and others, Melbourne, Vic. Chaff-cutter .. ..	20291	10 Nov.	101	16 Nov.*
Coates, R., and others, Boulder City, W.A. Butter, provision, and liquid cooler	20315	15 Nov.	110	14 Dec.*
Cobb, J. H., and another, Christchurch, N.Z. Hair-pin .. ..	18862	15 Dec., 1904..	96	2 Nov.

ALPHABETICAL LIST OF APPLICANTS FOR LETTERS PATENT—*continued.*

Name, Address, and Invention.	Application.		Gazette.	
	No.	Date.	No.	Date.
Cobbe, H. N. G., and another, Kalgoorlie, W.A. Shoes and dies for grinding-pans	20221	25 Oct. ..	106	1 Dec.
Cocks, P. J., and another, Opawa, N.Z. Poultry-feeder .. ..	20428	8 Dec. ..	..	..
Coe, J., and another, Auckland, N.Z. Valve-connection for tires ..	20056	15 Sept. ..	96	2 Nov.
Coker, A. E., Timaru, N.Z. Removing wool from skins. (W. G. Coker)	19463	29 Nov. ..	110	14 Dec.
Coker, W. G., Timaru, N.Z. (See A. E. Coker, No. 19463.)				
Colley, F. G., and another, Macedon, U.S.A. (See American Seeding-machine Company, No. 20217.)				
Collier, A., Geelong, Vic. Cheque form .. ..	20471	20 Dec. ..	6	25 Jan., 1906.
Collins, R. J., Auckland, N.Z. Directory .. ..	20363	20 Nov. ..	..	..
Connell, J., Timaru, N.Z. Hill-climbing device .. ..	20116	28 Sept. ..	101	16 Nov.
Constable, F. C., and another, Perth, W.A. Skimmer for steam boiler	20415	6 Dec. ..	2	11 Jan., 1906.
Cooke, A. N., and another, Richmond, Vic. Toe-plate for boots ..	20420	7 Dec. ..	..	..
Cooper, F., Christchurch, N.Z. Disc plough .. ..	20284	6 Nov. ..	106	1 Dec.*
Cooper, F. H., Wellington, N.Z. Trolley-pole controller .. ..	19015	1 Feb. ..	110	14 Dec.
Cooper, G., and another, Timaru, N.Z. Metal carting and spreading wagon	20438	12 Dec. ..	6	25 Jan., 1906.*
Cooper, S. T., Eltham, N.Z. Timber-wagon .. ..	20330	17 Nov. ..	106	1 Dec.*
Costello, W., Masterton, N.Z. Bag-stand .. ..	20401	2 Dec. ..	2	11 Jan., 1906.*
Cotton, F., Hornsby, N.S.W. Liquid-fuel burner .. ..	20258	31 Oct. ..	101	16 Nov.
Cowie, J., Dunedin, N.Z. Milk-can filler .. ..	20242	26 Oct. ..	..	..
Cradock, G., Bolton Percy, Eng. Rope-grip .. ..	20247	30 Oct. ..	110	14 Dec.
Cranwell, B. F., and another, Henderson, N.Z. Motor cross-cutting machine	20301	8 Nov. ..	106	1 Dec.*
Craven, A. T., Nelson, N.Z. Music roller and holder .. ..	20384	25 Nov. ..	..	..
Craven, A. T., Nelson, N.Z. Music-holder .. ..	20439	12 Dec. ..	2	11 Jan., 1906.*
Crook, J., Auckland, N.Z. Raising sunken ships .. ..	19917	19 Aug. ..	96	2 Nov.
Crook, J., Auckland, N.Z. Broom-rack .. ..	19932	19 Aug. ..	96	2 Nov.
Cross, A. W. S., and others, London, Eng. Dew-collecting reservoir	20271	2 Nov. ..	2	11 Jan., 1906.
Cross, L. H., and another, London, Eng. Nut-lock .. ..	20124	4 Oct. ..	101	16 Nov.
Cutmore, H. A., London, Eng. Telephone-transmitter .. ..	20252	30 Oct. ..	106	1 Dec.
Dade, H. E., Canaan, U.S.A. Loose-leaf binder .. ..	20138	5 Oct. ..	101	16 Nov.
Dall, W., Dunedin, N.Z. Ball-tester .. ..	18929	7 Jan. ..	106	1 Dec.
Dally, C. Y., Masterton, N.Z. Penetrating-rays .. ..	20212	24 Oct. ..	..	..
Davey, J. F., Beverly, U.S.A. (See United Shoe Machinery Company, No. 20139.)				
Day, J. E., Sydney, N.S.W. Can-washing valve .. ..	20289	10 Nov. ..	101	16 Nov.*
De Mole, L. E., and others, Kalgoorlie, W.A. Butter, provision, and liquid cooler	20315	15 Nov. ..	110	14 Dec.*
Dempsey, W., Blenheim, N.Z. Flax-tail stripper .. ..	20142	3 Oct. ..	2	11 Jan., 1906.*
Dennison, F. R., Oamaru, N.Z. Motor speed-gear .. ..	20502	28 Dec. ..	2	11 Jan., 1906.*
Deutsche Dauerbrot Gesellschaft, Berlin, Germany. (See E. S. Baldwin and H. H. Rayward, No. 18806.)				
De Witt, G. C., Melbourne, Vic. Refractory-ore treatment .. ..	20248	30 Oct. ..	106	1 Dec.
Diamanti, L. V., and another, Wellington, N.Z. Ice-chest .. ..	20274	3 Nov. ..	106	1 Dec.*
Dickason, J., and another, Melbourne, Vic. Cow bail and stall ..	20186	17 Oct. ..	96	2 Nov.*
Dixon, F. A., Albury, N.S.W. Eaves-gutter fascias .. ..	20074	21 Sept. ..	96	2 Nov.
Donisthorpe, A. R., Leicester, Eng. Crimping fibrous material ..	20249	30 Oct. ..	..	..
Donne, B. L., Wellington, N.Z. Tent. (T. D. McCall) .. ..	20236	27 Oct. ..	110	14 Dec.
Douglas, R. R., Dunedin, N.Z. Dredge tumbler and shaft .. ..	20510	29 Dec. ..	6	25 Jan., 1906.*
Dugdale, T., Waimate, N.Z. Rainwater head and strainer .. ..	20329	17 Nov. ..	2	11 Jan., 1906.*
Duncan, P., and another, Christchurch, N.Z. Boot-sock .. ..	20369	23 Nov. ..	..	..
Dunne, R., Dunedin, N.Z. Match-striker .. ..	20492	20 Dec. ..	6	25 Jan., 1906.*
Dunnett, F. E., London, Eng. Anti-fouling paint .. ..	20251	2 Nov., 1904 †	110	14 Dec.
Dunning, J., Auckland, N.Z. Butter-box .. ..	19839	3 Aug. ..	96	2 Nov.*
Edkins, E. M., Dannevirke, N.Z. Reversing gear for saw-bench ..	20121	2 Oct. ..	91	19 Oct.*
Edwards, W. H., Attunga, N.S.W. Detonator .. ..	20408	6 Dec. ..	..	..
Egan, M., and another, Timaru, N.Z. Fire-reel carriage attached to cycle, &c.	20409	6 Dec. ..	2	11 Jan., 1906.*
Ehrmann, M. B. L., St. Kilda, Vic. Manufacture of butter .. ..	20475	20 Dec. ..	6	25 Jan., 1906.
Ellen, J., Staveley, N.Z. Sheep-brand .. ..	20175	12 Oct. ..	96	2 Nov.*
Ellen, J., Staveley, N.Z. Feeding-bottle protector .. ..	20118	30 Sept. ..	106	1 Dec.
Elvines, F., and another, Wellington, N.Z. Non-silttable mat ..	20283	7 Nov. ..	101	16 Nov.*
Eppler, A., Allston, N.Z. (See United Shoe Machinery Company, No. 20317.)				
Evans, J. J., and others, Auckland, N.Z. Kauri-gum sieve .. ..	20209	18 Oct. ..	101	16 Nov.*
Ever Fresh Bread Company. (See Deutsche Dauerbrot Gesellschaft.)				
Fallows, E. H., New York, U.S.A. (See E. Phillips, No. 20334.)				
Farrell, F. J., Auckland, N.Z. Fire-alarm attachment to telephone	18974	16 Jan. ..	110	14 Dec.
Feige, H., and others, San Francisco, U.S.A. Recovery of precious metals	20137	5 Oct. ..	106	1 Dec.
Fenton, J., Grey Lynn, N.Z. Hat-fastener .. ..	20151	6 Oct. ..	96	2 Nov.*
Firth, E. T. C., Auckland, N.Z. Pumice-soap .. ..	20276	2 Nov. ..	106	1 Dec.*
Fitzgerald, P., Lawlers, W.A. (See Bewick, Moreing, and Co., No. 20500.)				
Flett, J. J., Enfield, N.Z. Weed-eradicator .. ..	20432	11 Dec. ..	..	..
Ford, A. S., Coromandel, N.Z. Weighing-attachment to dray .. ..	20157	10 Oct. ..	101	16 Nov.*
Forscutt, S. B., Oamaru, N.Z. Funnel .. ..	20467	18 Dec. ..	6	25 Jan., 1906.*
Forscutt, S. B., Oamaru, N.Z. Clamping mattress-frame to bedstead	20509	30 Dec. ..	6	25 Jan., 1906.*



ALPHABETICAL LIST OF APPLICANTS FOR LETTERS PATENT—continued.

Name, Address, and Invention.	Application.		Gazette.	
	No.	Date.	No.	Date.
Fowler, T. W., Melbourne, Vic. Fire-plug .. .. .	20254	30 Oct. ..	101	16 Nov.*
Fraser, J. C., Coromandel, N.Z. Steam-turbine .. .. .	20219	25 Oct. ..	101	16 Nov.
French, A. G., Motupipi, N.Z. Cement-manufacture .. .. .	20378	27 Nov. ..	110	14 Dec.*
Fry, R. J., Kialla, Vic. Rabbit-trap .. .. .	19735	14 July ..	106	1 Dec.
Fry, R. J., Brunswick, Vic. Animal-trap .. .. .	20441	12 Dec. ..	2	11 Jan., 1906.*
Galbally, J. O., Wellington, N.Z. Building-block .. .. .	19198	13 March ..	110	14 Dec.
Garner, W. R., Melbourne, Vic. Cycle-gear .. .. .	20352	22 Nov. ..	110	14 Dec.*
Garside, J., Dunedin, N.Z. Sprayer .. .. .	20496	22 Dec. ..	..	..
Gee, E. J., Papanui, N.Z. Sun-blind .. .. .	20208	21 Oct. ..	96	2 Nov.*
Gibbons, R. G., Sydney, N.S.W. Dynamo electric-generator. (P. Rabbidge)	20351	22 Nov. ..	2	11 Jan., 1906.*
Gillies, A., Geelong, Vic. Teat-cup .. .. .	20164	12 Oct. ..	96	2 Nov.*
Gillies, A., Geelong, Vic. Milking-machine claw .. .. .	20165	12 Oct. ..	96	2 Nov.*
Glossop, J., Dunedin, N.Z. Boring-apparatus .. .. .	20392	27 Nov. ..	110	14 Dec.*
Gordon, F. E. A., Palmerston North, N.Z. Washing-fluid .. .. .	20486	21 Dec. ..	2	11 Jan., 1906.*
Graham, J. P., and another, Waikaka, N.Z. Dredge-anchor .. .. .	20397	1 Dec. ..	2	11 Jan., 1906.*
Grainger, A. M., Oamaru, N.Z. Bird-trap .. .. .	19999	5 Sept. ..	96	2 Nov.*
Grant, J. H., and another, Ballarat, Vic. Ore-furnace .. .. .	18838	6 Dec., 1904	96	2 Nov.
Gray, A., and another, Wellington, N.Z. Pneumatic knee-ring .. .. .	20405	4 Dec. ..	..	..
Gray, B. P., Birmingham, Eng. Hoof-pad for horse-shoe .. .. .	20171	6 Jan.† ..	6	25 Jan., 1906.
Gray, J., Dunedin, N.Z. Seed-sower .. .. .	19167	6 March ..	110	14 Dec.
Gray, J. H., San Francisco, U.S.A. Shaft-bearings .. .. .	20362	23 Nov. ..	..	..
Greensill, B. T. R., Mahau, N.Z. Egg-beater holder .. .. .	20442	12 Dec. ..	6	25 Jan., 1906.
Gresham, E. G., Dunedin, N.Z. Dental plates .. .. .	20340	20 Nov. ..	110	14 Dec.*
Gresham, E. G., Dunedin, N.Z. Dental instrument .. .. .	20341	20 Nov. ..	110	14 Dec.*
Gresham, E. G., and another, Dunedin, N.Z. Pneumatic knee-ring .. .. .	20405	4 Dec. ..	..	..
Gribbon, J. S., and another, Benalla, Vic. Sash-support .. .. .	20222	25 Oct. ..	106	1 Dec.
Griffiths, W. J. J., Normanby, N.Z. Animal-cover fastening .. .. .	20278	4 Nov. ..	..	..
Grove, E. N., Wellington, N.Z. Moving tram-rail points, &c. .. .. .	20440	12 Dec. ..	2	11 Jan., 1906.*
Grundy, E., Gisborne, N.Z. Woven-wire stretcher .. .. .	18577	11 Oct., 1904	106	1 Dec.
Gundrie, W. W., South Norsewood, N.Z. Fencing-dropper .. .. .	20270	2 Nov. ..	..	..
Haigh, T. G., Linwood, N.Z. Whisking-machine .. .. .	20380	28 Nov. ..	110	14 Dec.*
Hall, R. E., Port Levy, N.Z. Gate-fastener .. .. .	20117	30 Sept. ..	101	16 Nov.
Hall, T., and another, Wellington, N.Z. Non-siltable mat .. .. .	20383	7 Nov. ..	101	16 Nov.*
Hall, W., Addington, N.Z. Grain-dressing .. .. .	20319	13 Nov. ..	6	25 Jan., 1906.
Hanlon, J., Ballarat, Vic. Engraving plates .. .. .	20417	7 Dec. ..	2	11 Jan., 1906.
Hanson, C. P., Waireka, N.Z. Non-refillable bottle .. .. .	20463	18 Dec. ..	2	11 Jan., 1906.*
Hardie, L., Christchurch, N.Z. Swing .. .. .	20225	24 Oct. ..	101	16 Nov.*
Hardwick, T. J., and another, Perth, W.A. Cycle-inflation connection	20345	22 Nov. ..	110	14 Dec.*
Hardy, A. R., Dunedin, N.Z. Wire-fastener .. .. .	20199	21 Oct. ..	..	..
Hardy, A. R., Dunedin, N.Z. Sash-mover and lock .. .. .	20277	2 Nov. ..	101	16 Nov.*
Harrington, A., and another, Leicester, Eng. Boot and shoe machinery	20413	6 Dec. ..	2	11 Jan., 1906.
Harris, C. H., Wellington, N.Z. Kettle and saucepan .. .. .	20281	7 Nov. ..	106	1 Dec.*
Harrison, P. Y., and another, Bradford, Eng. Top-piece for boot-heel	20292	10 Nov. ..	2	11 Jan., 1906.
Hart, G. H., Koromiko, N.Z. Lock .. .. .	20325	16 Nov. ..	106	1 Dec.*
Hartley, S. S., Petaluma, U.S.A. (See E. N. Waters, No. 20140.)				
Harvey, G., Melbourne, Vic. Writing-appliance for the blind .. .. .	20431	11 Dec. ..	2	11 Jan., 1906.*
Harvey, W., Auckland, N.Z. Continuous-pressure block .. .. .	20048	14 Sept. ..	96	2 Nov.
Hatmaker, J. R., Paris, France. Cacao sugar and milk preparation .. .. .	20166	20 Oct., 1904†	101	16 Nov.
Hatmaker, J. R., Paris, France. Obtaining milk-sugar and casein from milk	20167	11 Oct., 1904†	101	16 Nov.
Hatmaker, J. R., Paris, France. Dry compound of coffee and milk .. .. .	20359	23 Nov. ..	2	11 Jan., 1906.
Hatmaker, J. R., Paris, France. Blood-drying process .. .. .	20360	23 Nov. ..	2	11 Jan., 1906.
Hatmaker, J. R., Paris, France. Fruit-drying process .. .. .	20361	24 Nov., 1904†	2	11 Jan., 1906.
Houghton, R. A., Wellington, N.Z. Emptying kerosene-tins .. .. .	20055	18 Sept. ..	2	11 Jan., 1906.
Hawkins, T. H., London, Eng. Acetylene lamp and generator .. .. .	20326	16 Nov. ..	2	11 Jan., 1906.
Haworth, R. D., Wellington, N.Z. Cardboard-box manufacture .. .. .	20433	11 Dec. ..	2	11 Jan., 1906.*
Hayward, C. E., jun., and another, Maungakarama, N.Z. Snap-catch for leg-ropes	20215	24 Oct. ..	2	11 Jan., 1906.
Head, J. A., Lyttelton, N.Z. Brush and polishing-glove .. .. .	20176	12 Oct. ..	101	16 Nov.
Heale, S. C., Christchurch, N.Z. Picture-frame .. .. .	20429	8 Dec. ..	6	25 Jan., 1906.*
Healy, L., and another, New Plymouth, N.Z. Wheel-jack .. .. .	20216	23 Oct. ..	6	25 Jan., 1906.*
Heavener, H., jun., Blayney, N.S.W. Horse kicking and bolting preventer	20224	25 Oct. ..	..	..
Heeb, M., Port Legar, N.Z. Turbine .. .. .	20354	22 Nov. ..	110	14 Dec.*
Hemming, H. J. R., Hither Green, Eng. Sterilising and preserving food	20456	31 Dec., 1904†	6	25 Jan., 1906.
Henderson, G. J., Sydney, N.S.W. Making filled capsules .. .. .	20290	10 Nov. ..	110	14 Dec.
Henderson, T. H., Carterton, N.Z. Weed-destroyer .. .. .	19060	10 Feb. ..	2	11 Jan., 1906.
Henry, G. J., jun., San Francisco, U.S.A. Hydraulic nozzle .. .. .	20422	7 Dec. ..	2	11 Jan., 1906.
Hercus, J., and another, Dunedin, N.Z. Window-sash .. .. .	20200	16 Oct. ..	106	1 Dec.
Hercus, P., Christchurch, N.Z. Recording movements of persons .. .. .	20489	19 Dec. ..	..	..
Herrington, F., and others, San Juan, Porto Rico. (See International Cigar Machinery Company, No. 20080.)				
Heskett, T. J., Brunswick, Vic. Iron and steel manufacture .. .. .	20491	22 Dec. ..	6	25 Jan., 1906.*
Hicks, L. H., Williamstown, Vic. Toe-plate for boots .. .. .	20420	7 Dec. ..	..	..
Higgin, T., Okoia, N.Z. Cow-leg holder .. .. .	20434	11 Dec. ..	2	11 Jan., 1906.*
Hill, W. E., and another, Dunedin, N.Z. Mitre-cutter .. .. .	20240	25 Oct. ..	106	1 Dec.*
Hitchen, T., Sydney, N.S.W. Oven-door .. .. .	20110	28 Sept. ..	96	2 Nov.

ALPHABETICAL LIST OF APPLICANTS FOR LETTERS PATENT—*continued.*

Name, Address, and Invention.	Application.		Gazette.	
	No.	Date.	No.	Date.
Hofsteede (See ter-Hofsteede.)				
Hogan, M., Edendale, N.Z. Grain and seed cleaning machine ..	20391	25 Nov.	..	..
Hogbacka, L. E., and another, Kaikoura, N.Z. Saw-bench ..	19966	1 Sept.	..	101 16 Nov.
Holmes, G. B., and another, Wellington, N.Z. Trolley-head ..	20376	27 Nov.	..	110 14 Dec.*
Hopkinson, E. C., and another, New Plymouth, N.Z. Wheel-jack ..	20216	23 Oct.	..	6 25 Jan., 1906.*
Hopwood, A., Palmerston North, N.Z. Means for keeping accounts ..	19000	28 Jan.	..	91 19 Oct.
Horrocks Automatic Vending-machine Company, Limited, Wellington, N.Z. Vending-machine. (L. B. Horrocks)	20220	25 Oct.	..	96 2 Nov.*
Horrocks, L. B., New Plymouth, N.Z. (See The Horrocks Automatic Vending-machine Company, Limited, No. 20220.)				
Houghton, E. M., Detroit, U.S.A. Vaccine .. .. .	20081	22 Sept.	..	101 16 Nov.
House, H., Melbourne, Vic. Grain-riddle .. .. .	20497	28 Dec.	..	6 25 Jan., 1906.*
Houseman, A., and another, Newcastle, N.S.W. (See Universal Patent Bottle Company, Limited, No. 20148.)				
Houseman, A., Newcastle, N.S.W. Bottle-closure .. .. .	20190	19 Oct.	..	106 1 Dec.
Houseman, A., Newcastle, N.S.W. Bottle .. .. .	20223	25 Oct.	..	6 25 Jan., 1906.
Howlin, W., Sydney, N.S.W. Operating-valves .. .. .	19644	28 June	..	2 11 Jan., 1906.
Hubbard, A. J., and others, London, Eng. Dew-collecting reservoir	20271	2 Nov.	..	2 11 Jan., 1906.
Hubbard, G., and others, London, Eng. Dew-collecting reservoir ..	20271	2 Nov.	..	2 11 Jan., 1906.
Hudson, R., Wellington, N.Z. Partition-wall .. .. .	20087	25 Sept.	..	101 16 Nov.
Hughes, W. E., Wellington, N.Z. Steam-distribution for locomotive. (H. Lentz and C. Bellens)	20067	21 Sept.	..	96 2 Nov.
Hughes, W. E., Wellington, N.Z. Casting curved stereotypes. (The Printing Machinery Company, Limited—H. A. W. Wood)	20355	22 Nov.	..	.. ..
Hugo, A. J. C., Kalgoolie, W. A., Locomotive-valve setting machine	20348	22 Nov.	..	2 11 Jan., 1906.
Humphries, E. J., Maitara, N.Z. Plough-wheel mounting ..	20187	18 Oct.	..	101 16 Nov.*
Hunter, J. D., and another, Dunedin, N.Z. Liquid-measure ..	20402	29 Nov.	..	2 11 Jan., 1906.
Hunter, W. E., and another, Maungakaramea, N.Z. Snap-catch for leg-rope	20215	24 Oct.	..	2 11 Jan., 1906.
Huntley, E. S., Coolgardie, W. A. Slimes-filter .. .. .	20128	4 Oct.	..	.. ..
Hurd, T., Dunedin, N.Z. Draught-preventer .. .. .	20234	24 Oct.	..	101 16 Nov.*
Hutchison, A., and another, Melbourne, Vic. (See L. B. Morres, No. 20134.)				
Hutton, E. W. H., Dunedin, N.Z. Flax-dressing .. .. .	20331	15 Nov.	..	2 11 Jan., 1906.*
Innes, J. T., Mount Gambier, S. A. Feed-water supply for boiler	20136	5 Oct.	..	101 16 Nov.
International Cigar Machinery Company, New York, U.S.A. Cigar Machinery. (O. Tyberg, W. S. Luckett, L. Lake, H. Knight, and F. Herrington)	20080	22 Sept.	..	96 2 Nov.
Jack, A., Palmerston North, N.Z. Production of gas .. .. .	20469	19 Dec.	..	2 11 Jan., 1906.*
Jamieson, W., and another, Gray's, Essex, Eng. (See Machine-made Casks, Limited, No. 20505.)				
Jerram, A. E., and another, Leicester, Eng. (See United Shoe Machinery Company, No. 18925.)				
Johansen, V., and another, Auckland, N.Z. Valve-connection for tires	20056	15 Sept.	..	96 2 Nov.
Johnson, C. J., and another, Auckland, N.Z. Fire-bridge ..	20398	1 Dec.	..	.. ..
Johnston, A., Napier, N.Z. Shaft-tug .. .. .	20230	26 Oct.	..	101 16 Nov.*
Johnstone, A., Milton, N.Z. Cornice .. .. .	20244	28 Oct.	..	101 16 Nov.*
Jones, E. J. W., and another, Aratapu, N.Z. Cool-safe .. ..	20495	22 Dec.	..	.. ..
Jones, H. J., and another, Masterton, N.Z. Piano-attachment ..	20207	21 Oct.	..	106 1 Dec.
Jones, J. H., and another, Cromwell, N.Z. Gold-saving dredge ..	20394	28 Nov.	..	2 11 Jan., 1906.*
Jones, W. B., Hastings, N.Z. Fencing-standard .. .. .	20188	18 Oct.	..	106 1 Dec.*
Junor, W., and others, Toronto, Canada. Extraction of gold ..	20421	7 Dec.	..	2 11 Jan., 1906.*
Kaiser, A., Sydney, N.S.W. Glass-polishing machine. (N. Weiderer and Co.)	20356	22 Nov.	..	6 25 Jan., 1906.
Kane, W., and another, Cromwell, N.Z. Gold-saving dredge ..	20394	28 Nov.	..	2 11 Jan., 1906.*
Keesing, T. H., and another, Auckland, N.Z. Post-card .. ..	20180	12 Oct.	..	.. ..
Kempthorne, Prosser, and Co.'s New Zealand Drug Company, Limited, Dunedin, N.Z. Culinary essence	20014	9 Sept.	..	96 2 Nov.
Kemsley, G. V., Reikorangi, N.Z. Fire-alarm .. .. .	20130	4 Oct.	..	91 19 Oct.*
Kemsley, G. V., Reikorangi, N.Z. Fire-alarm .. .. .	20131	4 Oct.	..	91 19 Oct.*
Kenyon, E. F. B., and another, Hove, Eng. Bread-crumbler ..	19112	21 Feb.	..	2 11 Jan., 1906.
Kennedy, W., Sheffield, N.Z. Blight-preventing composition ..	20194	17 Oct.	..	106 1 Dec.
Kilgour, E. C., Echuca, Vic. Acetylene-generator .. .. .	20447	14 Dec.	..	6 25 Jan., 1906.
Killen, E. B., London, Eng. Tire .. .. .	20504	28 Dec.	..	.. ..
Kilworth, W., Scottsdale, Tas. (See A. W. Loone, No. 20368.)				
Kirkbride, J. L., Auckland, N.Z. Fender for tramcar .. ..	20443	11 Dec.	..	2 11 Jan., 1906.*
Knight, H., and others, Jersey City, U.S.A. (See International Cigar Machinery Company, No. 20080.)				
Kolling, C., Sydney, N.S.W. Goods-elevator .. .. .	20483	21 Dec.	..	.. ..
Lake, L., and others, Brooklyn, U.S.A. (See International Cigar Machinery Company, No. 20080.)				
Langley, J. M., and others, Victoria, B.C. Fire-alarm .. ..	19925	23 Aug.	..	110 14 Dec.
Langton, E. G., Masterton, N.Z. Toilet-comb .. .. .	20293	10 Nov.	..	106 1 Dec.*
Larsen, C. E., Wellington, N.Z. Spouting-bracket .. .. .	20122	2 Oct.	..	91 19 Oct.*
La Trobe, W. S., and another, Wellington, N.Z. Dried-milk manufacture	20407	5 Dec.	..	110 14 Dec.*
Laugesen, W. E. L., and another, Kaikoura, N.Z. Saw-bench ..	19966	1 Sept.	..	101 16 Nov.
Lavertine, A. G., and another, Johannesburg, Transvaal. Inflating rubber tires	20466	18 Dec.	..	6 25 Jan., 1906.

ALPHABETICAL LIST OF APPLICANTS FOR LETTERS PATENT—continued.

Name, Address, and Invention.	Application.		Gazette.	
	No.	Date.	No.	Date.
Leah, H., Wellington, N.Z. Shade-holder for electric lights ..	20129	4 Oct. ..	96	2 Nov.*
Lees, J., and others, Boulder City, W.A. Butter, provision, and liquid cooler	20315	15 Nov. ..	110	14 Dec.*
Legg, J. C., Auckland, N.Z. Attaching handle of baker's peel ..	18829	3 Dec., 1904 ..	110 110	14 Dec.* 14 Dec.
Lentz, H., and another, Berlin, Germany. (See W. E. Hughes, No. 20067.)				
Leslie, G., Wanganui, N.Z. Enriching and preserving natural colours of timbers	20385	25 Nov. ..	2	11 Jan., 1906.*
Lietz, W. F., Dunedin, N.Z. Portable receptacle .. ..	19029	1 Feb. ..	110	14 Dec.
Lightner, H. L., and others, San Francisco, U.S.A. Recovery of precious metals	20137	5 Oct. ..	106	1 Dec.
Litherland, T. E., and others, Auckland, N.Z. Kauri-gum sieve ..	20209	18 Oct. ..	101	16 Nov.*
Ljungstrom, B., Stockholm, Sweden. (See Aktiebolaget Separator, Nos. 20311, 20455.)				
Locking, B., Napier, N.Z. Weed and animal destruction .. ..	20406	5 Dec. ..	..	..
Lombard, N., Worcester, U.S.A. Governor .. ..	19425	4 May ..	88	5 Oct. ..
Loone, A. W., Scottsdale, Tas. Cycle toe-clip. (W. Kilworth)	20368	23 Nov. ..	110	14 Dec.*
Louden, J. A. E., Auckland, N.Z. Ice-chest .. ..	20372	22 Nov. ..	6	25 Jan., 1906.*
Love, J. H., Auckland, N.Z. Horse-collar .. ..	20146	3 Oct. ..	96	2 Nov.*
Love, R., and another, Auckland, N.Z. Post-card .. ..	20180	12 Oct. ..	..	..
Lowe, G. I., Palmerston North, N.Z. Bicycle-pump .. ..	20113	30 Sept. ..	96	2 Nov.*
Luckett, W. S., and others, New York, U.S.A. (See International Cigar Machinery Company, No. 20080.)				
Luke, E. T., Caulfield, Vic. (See W. J. Rae, No. 18749.)				
Lungley, C. F., Melbourne, Vic. Manufacture of ammonia ..	20423	7 Dec. ..	2	11 Jan., 1906.*
Lutjohann, J. F., Christchurch, N.Z. Raising surface of billiard-table	20490	19 Dec. ..	6	25 Jan., 1906.*
Lyell, A., Palmerston North, N.Z. Tea-fuser .. ..	20375	25 Nov. ..	..	..
Maaskant, C., Waterval Bowen, Transvaal. Preventing unauthorised access to railway-trucks	20418	7 Dec. ..	2	11 Jan., 1906.
Machine-made Casks, Limited, London, Eng. Stave-preparing machine (W. Jamieson and R. Burn)	20505	28 Dec. ..	..	..
Machine-made Casks, Limited, London, Eng. Casks. (R. Burn) ..	20506	28 Dec. ..	..	..
Mackay, F., and another, Melbourne, Vic. Gold-extraction. (J. C. Clancy)	20133	5 Oct. ..	106	1 Dec.
Macky, J. J., Auckland, N.Z. Trolley-wheel guide .. ..	20498	23 Dec. ..	6	25 Jan., 1906.*
MacIntosh, W. P., Annandale, N.S.W. Tobacco-lighter .. ..	20065	21 Sept. ..	106	1 Dec.
MacLaurin, J. S., and another, Wellington, N.Z. Dried milk ..	20407	5 Dec. ..	110	14 Dec.*
Madeley, O. T., Corindhap, Vic. Rabbit-trap .. ..	19798	27 July ..	96	2 Nov.*
Madeley, O. T., Corindhap, Vic. Label for mail-bag .. ..	20195	19 Oct. ..	2	11 Jan., 1906.*
Mapp, T. H., Sydney, N.S.W. Treating forage .. ..	20316	15 Nov. ..	106	1 Dec.*
Marine Construction Company, San Francisco, U.S.A. Sand-blast apparatus. (J. D. Murray)	20412	6 Dec. ..	2	11 Jan., 1906.
Markwich, H., Waihi, N.Z. Cornice for window .. ..	20288	10 Nov. ..	..	..
Marlow, E. G., and another, Claremont, W.A. Skimmer for steam-boiler	20415	6 Dec. ..	2	11 Jan., 1906.
Marsh, F., West Maitland, N.S.W. Gold-treatment .. ..	20197	19 Oct. ..	106	1 Dec.*
Marsh, F., West Maitland, N.S.W. Amalgamating-machine ..	20198	19 Oct. ..	106	1 Dec.*
Marshall, J. W., and another, Wellington, N.S.W. Glass-washing machine	20294	10 Nov. ..	110	14 Dec.
Martin, E. J., and another, Auckland, N.Z. Half-tone process block	20327	16 Nov. ..	106	1 Dec.
Martin, W. E., Stamford, Eng. Side-delivery rake for hay ..	20253	31 May† ..	106	1 Dec.
Mason, J., Sebastopol, U.S.A. (See E. N. Waters, No. 20140.)				
Matheson, A., Hunterville, N.Z. Cutter for wall-paper .. ..	20120	2 Oct. ..	91	19 Oct.*
Matthews, K., Auckland, N.Z. Treating New Zealand flax .. ..	20468	28 Dec. ..	2	11 Jan., 1906.*
Matthews, K., Auckland, N.Z. Flax process .. ..	20507	28 Dec. ..	2	11 Jan. 1906.*
Mayhew, G. S., London, Eng. (See G. W. Mellor, No. 20358.)				
McCall, T. D., Chicago, U.S.A. (See B. L. Donne, No. 20236.)				
McCarthy, J., Auckland, N.Z. Easy and folding chair .. ..	20266	30 Oct. ..	110	14 Dec.
McConnell, J. N., Dunedin, N.Z. Cigarette-making .. ..	20374	25 Nov. ..	110	14 Dec.*
McCrea, F. E., Northcote, N.Z. Pillow-lace loom .. ..	20306	11 Nov. ..	2	11 Jan., 1906.
McCullough, W., and another, Thames, N.Z. Gold-saving table ..	20115	25 Sept. ..	106	1 Dec.*
McCully, S., Seadown, N.Z. Solution for destroying weeds ..	19067	13 Feb. ..	110	14 Dec.
McDonald, A., and another, Dunedin, N.Z. Sediment-trap strainer	18871	16 Dec., 1904	96	2 Nov.
McDonald, A., Taieri, N.Z. Sediment-strainer .. ..	20256	28 Oct. ..	101	16 Nov.*
McDonald, C., Roxburgh, N.Z. Sleeve for dredge-tumbler shaft ..	20201	17 Oct. ..	101	16 Nov.*
McDonald, H. E., Petone, N.Z. Egg-preserver .. ..	18935	10 Jan. ..	106	1 Dec.
McDonald, H. E., Petone, N.Z. Egg-carrier .. ..	20269	2 Nov. ..	101	16 Nov.*
McDonald, H. E., and another, Wellington, N.Z. Ice-chest	20274	3 Nov. ..	106	1 Dec.*
McDowell, N. A., and others, Victoria, B.C. Fire-alarm .. ..	19925	23 Aug. ..	110	14 Dec.
McFarlane, J. H., East Devonport, Tas. Cycle-pedal gear ..	19030	1 Feb. ..	110	14 Dec.*
McGregor, E., and another, Turakina, N.Z. Sheep-shears .. ..	20347	22 Nov. ..	..	..
McGregor, J., and another, Turakina, N.Z. Sheep-shears .. ..	20347	22 Nov. ..	..	..
McIntyre, W., Westport, N.Z. Coal-boring drill. (J. Smith)	20333	18 Nov. ..	..	..
McKay, W. A., and another, Wellington, N.Z. Hair-pin .. ..	18862	15 Dec., 1904 ..	96	2 Nov.
McKean, J., and another, Benalla, Vic. Sash-support .. ..	20222	25 Oct. ..	106	1 Dec.
McKinnon, W., Arapawanui, N.Z. Feeder for animals .. ..	18950	12 Jan. ..	101	16 Nov.
McLaurin, J. D., Pohangina, N.Z. Potato and fruit sprayer ..	20257	31 Oct. ..	..	..
McLennan, A., and another, Melbourne, Vic. Cow bail and stall ..	20186	17 Oct. ..	96	2 Nov.*
McLeod, A., Dunedin, N.Z. Diving-dress .. ..	20177	12 Oct. ..	96	2 Nov.*

## ALPHABETICAL LIST OF APPLICANTS FOR LETTERS PATENT—continued.

Name, Address, and Invention.	Application.		Gazette.	
	No.	Date.	No.	Date.
McNarry, J., Oamaru, N.Z. Spring key.. .. .	20498	20 Dec.	6	25 Jan., 1906.*
McNamara, J., Montreal, Canada. (See Mergenthaler Linotype Company, No. 20141.)				
McNeil, A. H., Clapton, Eng. Fire-alarm .. .. .	20414	6 Dec.	2	11 Jan., 1906.
McNeill, J. F., Melbourne, Vic. Go-cart .. .. .	20228	5 Oct.	2	11 Jan., 1906.
McNellan, J. E., and another, Johannesburg, Transvaal. Inflating rubber tires	20466	18 Dec.	6	25 Jan., 1906.
McPhedran, D. T., Timaru, N.Z. Music-holder for piano .. .. .	20365	21 Nov.	110	14 Dec.*
McPhee, J. H. A., Dunedin, N.Z. Tobacco cutter and box .. .. .	20476	15 Dec.	2	11 Jan., 1906.*
Mead, J., Warkworth, N.Z. Generating gas from kerosene-oil .. .. .	20255	30 Oct.	101	16 Nov.*
Mead, J., Warkworth, N.Z. Show-case fastener .. .. .	20444	11 Dec.	..	..
Meddings, W. G., Remuera, N.Z. Fire-alarm .. .. .	20173	10 Oct.	101	16 Nov.*
Mellor, G. W., London, Eng. Compound deal-forming machine. (G. S. Mayhew)	20358	23 Nov.	..	..
Mergenthaler Linotype Company, New York, U.S.A. Monoline composing-machine. (J. McNamara)	20141	5 Oct.	101	16 Nov.
Meyer, W. C., Boston, U.S.A. (See United Shoe Machinery Company, No. 20451.)				
Middleton, G., London, Eng. Road-vehicle wheel .. .. .	20344	22 Nov.	2	11 Jan., 1906.
Middleton, W., and another, Kalgoorlie, W.A. Shoes and dies for grinding-pans	20221	25 Oct.	106	1 Dec.
Miller, T., North-east Valley, N.Z. Sash-lock .. .. .	20321	15 Nov.	..	..
Mitchell, A., Auburn, Vic. Screw tap .. .. .	20309	14 Nov.	106	1 Dec.*
Mole. (See de Mole.)				
Moore, D., Timaru, N.Z. Seed-sower .. .. .	20479	19 Dec.	6	25 Jan., 1906.*
Moore, G., Pahiatua, N.Z. Vehicle-cushion .. .. .	20179	16 Oct.	101	16 Nov.*
Mordaunt, L. C., and another, Melbourne, Vic. (See L. B. Morres, No. 20134.)				
Morrell, R. L., London, Eng. Carburetting apparatus .. .. .	20218	25 Oct.	106	1 Dec.
Morres, L. B., Melbourne, Vic. Electric plaster (A. Hutchison and L. C. Mordaunt)	20134	5 Oct.	..	..
Morrison, A. R., Auckland, N.Z. Wire-mattress strengthener .. .. .	20145	3 Oct.	..	..
Morton, W., and another, Dunedin, N.Z. Window-sash .. .. .	20200	16 Oct.	106	1 Dec.
Moser, L. J., London, Eng. (See the Arcanum, Limited, No. 20349.)				
Muir, W., Gisborne, N.Z. Ventilator for buildings .. .. .	20181	14 Oct.	96	2 Nov.*
Mullins, P., Westport, N.Z. Playing-cards .. .. .	20307	13 Nov.	106	1 Dec.
Murray, J. D., San Francisco, U.S.A. (See Marine Construction Company, No. 20412.)				
Nalder, H., Nelson, N.Z. Toe-clip .. .. .	20174	13 Oct.	101	16 Nov.*
Nalty, V., Melbourne, Vic. Non-puncturable spring tire .. .. .	20297	10 Nov.	..	..
Nankivell, W. J., Dunedin, N.Z. Raft .. .. .	20285	8 Nov.	106	1 Dec.*
Nathan, A., Makino, N.Z. Milk food .. .. .	20231	26 Oct.	2	11 Jan., 1906.*
Nathan, A., Makino, N.Z. Egg-powder .. .. .	20232	26 Oct.	101	16 Nov.*
Newnham, A. A., Wellington, N.Z. Lock-nut .. .. .	20314	15 Nov.	..	..
Nicholls, B. S., and others, Auckland, N.Z. Washing-boiler .. .. .	20265	30 Oct.	..	..
Nicholls, J. H., and others, Auckland, N.Z. Washing-boiler .. .. .	20265	30 Oct.	..	..
Nicholls, J. H., Wellington, N.Z. Carpenters' gauge .. .. .	20379	27 Nov.	..	..
Nicol, W., Wanganui, N.Z. Removing coal from railway-truck .. .. .	20383	28 Nov.	2	11 Jan., 1906.
Nightingall, V. C. J., Melbourne, Vic. Controller for gas-burner .. .. .	20149	6 Oct.	101	16 Nov.
Nisbet, G. A., New Plymouth, N.Z. Vehicle circle-plate lubricator	20154	9 Oct.	101	16 Nov.*
Nosworthy, W. H., and another, Ramsgate, Eng. Non-refillable bottle and stopper	20268	2 Nov.	106	1 Dec.
Oates, J. G., Carterton, N.Z. Sporting-telegraph .. .. .	20282	7 Nov.	106	1 Dec.*
O'Connell, T. F., Catin's, N.Z. Stirrup-iron .. .. .	20295	10 Nov.	..	..
Oddie, F. A., Waikino, N.Z. Ore-crusher .. .. .	20425	5 Dec.	2	11 Jan., 1906.*
O'Dowd, J., Tapanui, N.Z. Roof-gutter .. .. .	19629	26 June	106	1 Dec.
O'Keefe, P. H., Ramornie, N.S.W. Corning of meat .. .. .	20064	21 Sept.	110	14 Dec.
Olsen, K. A., Port Chalmers, N.Z. Scaffolding .. .. .	20153	5 Oct.	96	2 Nov.*
O'Neil, J., Christchurch, N.Z. Windmill .. .. .	20280	6 Nov.	110	14 Dec.
O'Neil, T., Hedges Ferry, N.Z. Timing-apparatus for shutting off lights, &c.	20213	24 Oct.	106	1 Dec.*
Page, W. C., Eltham, N.Z. Securing wheels on axles .. .. .	20296	10 Nov.	110	14 Dec.
Palmer, H. S. W., and another, London, Eng. Tea preparation .. .. .	20163	12 Oct.	101	16 Nov.
Paora, O., Orakei, N.Z. Road-forming machine .. .. .	20300	8 Nov.	106	1 Dec.*
Park, J. R., Wellington, N.Z. Shackle. (W. Beamish) .. .. .	20335	20 Nov.	110	14 Dec.*
Park, J. R., Wellington, N.Z. Waterproof fabric, and method of manufacture. (L. A. Bond)	20350	22 Nov.	2	11 Jan., 1906.
Park, R. P., Melbourne, Vic. Sluice-box for gold-saving .. .. .	20488	21 Dec.	2	11 Jan., 1906.*
Parker, A., Dannevirke, N.Z. Stamp-vending machine .. .. .	20227	26 Oct.	101	16 Nov.*
Parrish, E. J., Sydney, N.S.W. Window-sash sustainer .. .. .	20043	15 Sept.	96	2 Nov.
Paterson, F. W., Dunedin, N.Z. Jug-cover .. .. .	19125	20 Feb.	110	14 Dec.
Payne, F. W., Dunedin, N.Z. Gold-saving apparatus .. .. .	20411	2 Dec.	..	..
Pearce, L., Fremantle, W.A. Tobacco-pipe .. .. .	20183	17 Oct.	101	16 Nov.
Pearson, G. A., and another, Brooklyn, U.S.A. (See The Chartered Patents Company, Limited, No. 20454.)				
Pearson, J. R., and another, Brooklyn, U.S.A. (See The Chartered Patents Company, Limited, No. 20454.)				
Pearson, M. H., and another, Leicester, Eng. (See United Shoe Machinery Company, No. 18925.)				
Perry, F. H., West Medford, U.S.A. (See United Shoe Machinery Company, No. 18926.)				

ALPHABETICAL LIST OF APPLICANTS FOR LETTERS PATENT—continued.

Name, Address, and Invention.	Application.		Gazette.	
	No.	Date.	No.	Date.
Perry, R., Wellington, N.Z. Fastening pulley to window-sash ..	20126	4 Oct. ..	91	19 Oct.*
Peters, J., Wairoa, N.Z. Egg-beater .. ..	18964	11 Jan. ..	106	1 Dec.
Peters, J. F., Devonport, N.Z. Fly-catcher .. ..	20416	2 Dec. ..	..	..
Phillips, E., Melbourne, Vic. Rendering apparatus. (E. H. Fallo's —J. H. Cayford)	20334	20 Nov. ..	2	11 Jan., 1906.
Philpott, T. S., Wellington, N.Z. Game of cards .. ..	20313	15 Nov. ..	106	1 Dec.*
Philpott, T. S., Wellington, N.Z. Ventilating-window .. ..	20457	15 Dec. ..	2	11 Jan., 1906.*
Pocock, R. V., Ashburton, N.Z. Plough-coulter .. ..	19721	13 July ..	110	14 Dec.
Pollard, E. T., London, Eng. Fluid-pressure turbine .. ..	18879	20 Dec., 1904 ..	96	2 Nov.
Pollard, E. T., and another, London, Eng. (See British-American Machinery Company, Limited, No. 20419.)				
Pomeroy, J., Invercargill, N.Z. Depositing tickets in bales of flax ..	20233	26 Oct. ..	101	16 Nov.*
Porch, W., Epsom, N.Z. Suction-collar for artesian-well pipes ..	20337	20 Nov. ..	..	..
Potter, L. H., and another, Christchurch, N.Z. Attaching models to dental articulator	20396	28 Nov. ..	2	11 Jan., 1906.*
Power, J. J., Glenlyon, Vic. Wash-board .. ..	20474	20 Dec. ..	..	..
Powrie, J. A., Lower Hutt, N.Z. Rainwater-strainer .. ..	20305	13 Nov. ..	..	..
Prescott, S. J., and another. Non-refillable bottle and stopper ..	20268	2 Nov. ..	106	1 Dec.
Price, F. G., Calcutta, India. Bolt-hole leak stop .. ..	19685	6 July ..	110	14 Dec.
Priest, S., jun., West Devonport, Tas. Cooking-range .. ..	20403	29 Nov. ..	2	11 Jan., 1906.*
Priest, S., jun., West Devonport, Tas. Wall-tie .. ..	19131	22 Feb. ..	2	11 Jan., 1906.
Priest, W., and others, San Francisco, U.S.A. Recovery of precious metals	20137	5 Oct. ..	106	1 Dec.
Printing Machinery Company, Limited, The, London, Eng. (See W. E. Hughes, No. 20355.)				
Pritchard, G. T., Wanganui, N.Z. Railway signalling-apparatus ..	20206	21 Oct. ..	101	16 Nov.*
Pulley, C. F., Wellington, N.Z. Dressing timber used in wharf-building, &c.	20473	20 Dec. ..	2	11 Jan., 1906.*
Pulman, G., Auckland, N.Z. Dwelling .. ..	20426	5 Dec. ..	..	..
Rabbidge, P., Neutral Bay, N.S.W. (See R. G. Gibbons, No. 20351.)				
Radcliffe, F. G., and another, Auckland, N.Z. Post-card .. ..	19451	8 May ..	2	11 Jan., 1906.
Rae, W. J., Melbourne, Vic. Time-table and advertising device. (E. T. Luke)	18749	16 Nov., 1904 ..	91	19 Oct.
Rands, H., Methven, N.Z. Marbling wood and iron work .. ..	18951	11 Jan. ..	101	16 Nov.
Rask, C., and another, Invercargill, N.Z. Travelling-race for sheep, &c.	20112	23 Sept. ..	96	2 Nov.*
Ravn, N. J., and another, Christchurch, N.Z. Boot-sock .. ..	20369	23 Nov. ..	..	..
Rawhiti, T. T., Hamilton, N.Z. Wagon-pole .. ..	19145	27 Feb. ..	2	11 Jan., 1906.
Raymond, F. V., Invercargill, N.Z. Spreader for dray-chain ..	18983	19 Jan. ..	106	1 Dec.
Rayward, H. H., and another, Wellington, N.Z. Making bread. (Deutsche Dauerbrot Gesellschaft)	18806	19 Dec., 1903†	110	14 Dec.
Reeve, V. R., Matapu, N.Z. Diverting first portion of rain water on roof from tank	20482	21 Dec. ..	2	11 Jan., 1906.*
Regenerated Cold Air Company, Boston, U.S.A. Air-treating apparatus. (F. White)	20107	28 Sept. ..	101	16 Nov.
Reid, A. W., Stratford, N.Z. Liquid-flow regulator .. ..	20172	12 Oct. ..	96	2 Nov.*
Rieh, F., and another, Rushworth, Vic. Tire-valve .. ..	20261	1 Nov. ..	110	14 Dec.
Richmond, J., Cromwell, N.Z. Gold-saving appliance .. ..	18971	14 Jan. ..	106	1 Dec.
Ridd, A., Waipuku, N.Z. Pneumatic teat-cups .. ..	20239	27 Oct. ..	101	16 Nov.*
Robertson, A. B., and another, New Plymouth, N.Z. Cow-bail ..	20453	15 Dec. ..	2	11 Jan., 1906.*
Robertson, D., Wellington, N.Z. Postmarking-machine .. ..	20260	1 Nov. ..	101	16 Nov.*
Robertson, D., Wellington, N.Z. Postmarking-machine .. ..	20371	31 Dec., 1904†	6	25 Jan., 1906.
Robertson, E. L., Wellington, N.Z. Egg-carrier .. ..	20235	27 Oct. ..	101	16 Nov.*
Robertson, J., and another, Auckland, N.Z. Non-refillable bottle ..	20047	14 Sept. ..	106	1 Dec.
Robinson, G. H., Sunderland, Eng. (See A., G. W., and C. A. Beldam, No. 20353.)				
Robinson, J., and another, Dunedin, N.Z. Mitre-cutter .. ..	20240	25 Oct. ..	106	1 Dec.*
Robson, R. H., Taihape, N.Z. Composition for building-block ..	20459	15 Dec. ..	..	..
Rodgers, S., Tuapeka West, N.Z. Fish-plate for railway-rail ..	20460	14 Dec. ..	..	..
Rodgers, S., Tuapeka West, N.Z. Railway-rail .. ..	20461	14 Dec. ..	..	..
Rodgers, S., Tuapeka West, N.Z. Fish-plate for railway-rails ..	20477	18 Dec. ..	..	..
Rodgers, S., Tuapeka West, N.Z. Ratchet-nut .. ..	20478	18 Dec. ..	..	..
Roe, M. H., and another, Mamaku, N.Z. Motor cross-cutting machine	20301	8 Nov. ..	106	1 Dec.*
Ross, C. G., and others, Taihape, N.Z. Sheep-shears .. ..	20347	22 Nov. ..	..	..
Ross, H. I. M., Dunedin, N.Z. Ventilating-system .. ..	20178	13 Oct. ..	101	16 Nov.
Rouse, F., and others, Wellington, N.Z. Vehicle-wheel lock ..	20237	27 Oct. ..	106	1 Dec.*
Rutland, C., and another, Perth, W.A. Cycle-inflation connection	20345	22 Nov. ..	110	14 Dec.*
Sable, E., Korong Vale, Vic. Rabbit-trap .. ..	20386	29 Nov. ..	2	11 Jan., 1906.*
Sahlstrom, C. A., Ottawa, Canada. Electrical ozoniser .. ..	19650	28 June ..	110	14 Dec.
Samuel, T., Westport, N.Z. Elevating and concentrating black sand	20370	23 Nov. ..	110	14 Dec.*
Sanderson, J., and another, New Plymouth, N.Z. Window-blind retainer	19007	26 Jan. ..	110	14 Dec.
Saunders, M., and another, Pleasant Point, N.Z. Bagging and stacking grain	20410	4 Dec. ..	2	11 Jan., 1906.*
Saunderson, H. P., Bedford, Eng. Motor .. ..	19003	25 Jan. ..	2	11 Jan., 1906.
Schroeder, E. S., Woodville, S.A. Stump-extractor .. ..	19113	21 Feb. ..	2	11 Jan., 1906.
Schultze, A., Grey mouth, N.Z. Carriage and spacer for typewriter	20273	28 Oct. ..	6	25 Jan., 1906.*
Scobie, R., Wright's Bush, N.Z. Securing coulter to plough-beam ..	19040	7 Feb. ..	110	14 Dec.
Scott, G., Halswell, N.Z. Injecting air into cow's udder .. ..	20104	27 Sept. ..	96	2 Nov.*
Shale, T., Dunedin, N.Z. Insulator for electric wires .. ..	20286	8 Nov. ..	106	1 Dec.*
Sharpe, J., Glebe, N.S.W. Wire suspender for bottle .. ..	20068	21 Sept. ..	96	2 Nov.

## ALPHABETICAL LIST OF APPLICANTS FOR LETTERS PATENT—continued.

Name, Address, and Invention.	Application.		Gazette.	
	No.	Date.	No.	Date.
Shepherd, W., Adair S., N.Z. Destroying blight on plants ..	20494	22 Dec. ..	..	..
Siegenberg, L., jun., London, Eng. Incandescent burner ..	20430	11 Dec. ..	2	11 Jan., 1906.*
Slater, J. G., and others, Toronto, Canada. Gold-extraction ..	20421	7 Dec. ..	2	11 Jan., 1906.*
Slemitz, C., Auckland, N.Z. Spray-pump ..	20377	23 Nov. ..	110	14 Dec.*
Sloper, C., and another, Smithfield, N.Z. Depilating hides ..	20324	16 Nov. ..	110	14 Dec.*
Small, J., Port Chalmers, N.Z. Water-tube boiler ..	18597	14 Oct., 1904 ..	96	2 Nov.
Smallbone, R. E., Auckland, N.Z. Knife-cleaner ..	20267	2 Nov. ..	101	16 Nov.*
Smith, H. T., and another, Christchurch, N.Z. Station-indicator ..	20336	20 Nov. ..	2	11 Jan., 1906.
Smith, J., Westport, N.Z. (See W. McIntyre, No. 20393.)				
Smith, P. A. N., and another, Auckland, N.Z. Electrical and oil motor-car and marine engine	20382	25 Nov. ..	110	14 Dec.*
Smith, S., Christchurch, N.Z. Shoe ..	19980	18 Sept. ..	106	1 Dec.*
Smith, W., Waiuku, N.Z. Runaway-horse holder ..	20243	27 Oct. ..	110	14 Dec.*
Sollitt, R. H., and another, Palmerston North, N.Z. Lifting and lowering blinds	20275	3 Nov. ..	..	..
Solomon, D., and others, Melbourne, Vic. Studless house ..	19891	17 Aug. ..	110	14 Dec.
Solomon, J., and others, Melbourne, Vic. Studless house ..	19891	17 Aug. ..	110	14 Dec.
Southall, R. H., and another, Leeds, Eng. Top-piece for boot-heel	20292	10 Nov. ..	2	11 Jan., 1906.
Spears, W., and another, Leicester, Eng. Boot and shoe machinery	20413	6 Dec. ..	2	11 Jan., 1906.
Spencer, W. E., and another, New Plymouth, N.Z. Window-blind retainer	19007	26 Jan. ..	110	14 Dec.
Staines, F., Melbourne, Vic. Pea-shelling machine ..	20390	29 Nov. ..	110	14 Dec.*
Stedman, S. R., and another, Dunedin, N.Z. Sediment-trap strainer	18871	16 Dec., 1904 ..	96	2 Nov.
Steele, J. T., West Croydon, Eng. Loose-leaf account-book ..	20250	30 Oct. ..	110	14 Dec.
Steer, J., Napier, N.Z. Washing-fluid ..	20462	16 Dec. ..	..	..
Stevens, R., Christchurch, N.Z. Milk-cooler and aerator ..	20259	31 Oct. ..	101	16 Nov.*
Stevenson, G., Woolston, N.Z. Mop-wringer ..	18889	23 Dec., 1904 ..	91	19 Oct.
Stewart, R. L., and another, Auckland, N.Z. Post-card	19451	8 May ..	2	11 Jan., 1906.
Stocker, B. E. S., Wellington, N.Z. Rifle and shot-gun cleaner ..	20238	27 Oct. ..	110	14 Dec.
Stocks, H. B., Manchester, Eng. Power hammer ..	20125	4 Oct. ..	106	1 Dec.
Stone, W., Dunedin, N.Z. Sash-raiser and lock ..	20366	21 Nov. ..	2	11 Jan., 1906.*
Storrie, A., Invercargill, N.Z. Pressure-device for turnip-ridger ..	18954	7 Jan. ..	110	14 Dec.
Strathern, J., Kingsland, N.Z. Treating potatoes to prevent blight	20427	5 Dec. ..	2	11 Jan., 1906.*
Stuart, R. W., Sydney, N.S.W. Burner for petroleum-vapor gas ..	20184	17 Oct. ..	101	16 Nov.
Stubbs, F., Auckland, N.Z. Fixing and tightening steam-boiler tubes	20472	18 Dec. ..	..	..
Sutherland, I., Fitzroy, Vic. Roundabout ..	20501	28 Dec. ..	6	25 Jan., 1906.*
Suttle, C., and another, Onshunga, N.Z. Treating flax ..	18917	31 Dec., 1904 ..	106	1 Dec.
Sutton, A. C., and another, Auckland, N.Z. Half-tone process block	20327	16 Nov. ..	106	1 Dec.
Swan, A. M., Otautau, N.Z. Turnip-thinner ..	20395	28 Nov. ..	2	11 Jan., 1906.*
Sykes, A. E., New Plymouth, N.Z. Cattle-drenching appliance ..	20214	24 Oct. ..	106	1 Dec.*
Tait, A. L. J., Melbourne, Vic. Treating fibre ..	20229	26 Oct. ..	101	16 Nov.*
Taylor, A., and others, Victoria, B.C. Fire-alarm ..	19925	23 Aug. ..	110	14 Dec.
Taylor, T., Devonport, N.Z. Non-refillable bottle ..	20435	7 Dec. ..	2	11 Jan., 1906.*
ter-Hofsteede, J. G., Sunbury, Vic. Legging-fastening ..	20182	17 Oct. ..	101	16 Nov.*
Terry, R. J., Hobart, Tas. Egg-tester ..	20445	13 Dec. ..	2	11 Jan., 1906.*
Thomas, R. F., and another, Melbourne, Vic. Fruit-case ..	20338	20 Nov. ..	..	..
Thomsen, H. C., Waingawa, N.Z. Cocksfoot-thresher ..	20245	28 Oct. ..	2	11 Jan., 1906.*
Titt, S. S., and another, Brighton, Eng. Bread-crumbler ..	19112	21 Feb. ..	2	11 Jan., 1906.
Totman, G., Auckland, N.Z. Brooch-fastening ..	20332	18 Nov. ..	..	..
Trobe. (See La Trobe.)				
Trounson, J., Kaihu, N.Z. Scrub and fern cutter ..	20342	21 Nov. ..	110	14 Dec.*
Turton, J., Johannesburg, Transvaal. Extraction of metals from ores	20465	18 Dec. ..	6	25 Jan., 1906.
Tyberg, O., and others, Point Loma, U.S.A. (See International Cigar Machinery Company, No. 20080.)				
Tychsen, E. A., Ormondville, N.Z. Velocipede-driving mechanism ..	20279	4 Nov. ..	..	..
United Shoe Machinery Company, Paterson, U.S.A. Assorting and delivering eyelets, &c. (M. H. Pearson and A. E. Jerram)	18925	9 Jan. ..	96	2 Nov.
United Shoe Machinery Company, Paterson, U.S.A. Fastening-machine. (F. H. Perry)	18926	9 Jan. ..	96	2 Nov.
United Shoe Machinery Company, Paterson, U.S.A. Paste-presenting machine. (O. Ashton)	19050	9 Feb. ..	2	11 Jan., 1906.
United Shoe Machinery Company, Paterson, U.S.A. Boot-trimmer. (O. Ashton)	19051	9 Feb. ..	2	11 Jan., 1906.
United Shoe Machinery Company, Paterson, U.S.A. Fastening-inserting machine. (J. F. Davey)	20139	5 Oct. ..	91	19 Oct.*
United Shoe Machinery Company, Paterson, U.S.A. Boot-turning machine. (A. Eppler)	20317	15 Nov. ..	106	1 Dec.*
United Shoe Machinery Company, Paterson, U.S.A. Lasting-machine. (W. A. Bond)	20450	14 Dec. ..	2	11 Jan., 1906.*
United Shoe Machinery Company, Paterson, U.S.A. Sewing-machine. (W. C. Meyer)	20451	14 Dec. ..	2	11 Jan., 1906.*
United Shoe Machinery Company, Paterson, U.S.A. Rough-rounding and channelling machine. (G. F. Wolfe)	20452	14 Dec. ..	2	11 Jan., 1906.*
United Shoe Machinery Company, Paterson, U.S.A. Fastenings forming and inserting machine. (G. A. Ambler)	20453	14 Dec. ..	2	11 Jan., 1906.*
Universal Patent Bottle Company, Limited, Newcastle, N.S.W. Non-refillable bottle. (A. Houseman and L. Weichert)	20148	6 Oct. ..	..	..
Urquhart, D., and another, Smithfield, N.Z. Depilating hides ..	20324	16 Nov. ..	110	14 Dec.*

ALPHABETICAL LIST OF APPLICANTS FOR LETTERS PATENT—continued.

Name, Address, and Invention.	Application.		Gazette.	
	No.	Date.	No.	Date.
Vivian, T., Auckland, N.Z. Medical tonic .. .. .	20241	25 Oct.	101	16 Nov.*
Walbran, G. F., and another, Malvern, Vic. Tire-valve .. .. .	20261	1 Nov.	110	14 Dec.
Wales, R., Dunedin, N.Z. Mitre-cutter .. .. .	19031	1 Feb.	2	11 Jan., 1906.
Wales, R., Dunedin, N.Z. Rope-grip .. .. .	20202	17 Oct.	101	16 Nov.*
Walker, J. J., London, Eng. Music-recorder .. .. .	20503	28 Dec.	..	..
Walker, R., Dunedin, N.Z. Milk-can .. .. .	18945	10 Jan.	101	16 Nov.
Wallace, A. B., and another, Masterton, N.Z. Piano-attachment ..	20207	21 Oct.	106	1 Dec.
Wallace, G. J., and another, Timaru, N.Z. Metal carting and spreading wagon	20438	12 Dec.	6	25 Jan., 1906.*
Walles, H. J., Roxburgh, N.Z. Submarine boat .. .. .	20246	27 Oct.	6	25 Jan., 1906.*
Walsh, L. A., Remuera, N.Z. Fish-hook or artificial bait .. .. .	20464	18 Dec.	6	25 Jan., 1906.
Waters, E. N., Melbourne, Vic. Farm-gate. (S. S. Hartley—J. Mason)	20140	5 Oct.	96	2 Nov.
Watson, D. G., Timaru, N.Z. Trace-spreader .. .. .	20189	18 Oct.	101	16 Nov.*
Watson, T. H., and others, Toronto, Canada. Extraction of gold ..	20421	7 Dec.	2	11 Jan., 1906.*
Watt, J., Dunedin, N.Z. Gas fire-ball heater .. .. .	19585	8 June	91	19 Oct.
Webster, R. V., and another, London, Eng. Tea preparation .. ..	20163	12 Oct.	101	16 Nov.
Weichert, L., and another, Newcastle, N.S.W. (See Universal Patent Bottle Company, Limited, No. 20148.)				
Weiderer and Co., N., Fuerth, Germany. (See A. Kaiser, No. 20356.)				
Weir, J., Dunedin, N.Z. Leg-ropes for cow .. .. .	20203	17 Oct.	96	2 Nov.*
Welch, H. C., Haverhill, U.S.A. Shoe .. .. .	20135	5 Oct.	96	2 Nov.*
Werner, A., Doyleston, N.Z. Threshing-machine elevator .. .. .	19286	1 April	2	11 Jan., 1906.
Weston, R., Sydenham, N.Z. Pedal-strap .. .. .	20320	13 Nov.	110	14 Dec.*
Wharfe, W. H., and others, Auckland, N.Z. Kauri-gum sieve .. ..	20209	18 Oct.	101	16 Nov.*
Whitburn, D., Auckland, N.Z. Game .. .. .	20437	9 Dec.	2	11 Jan., 1906.*
White, E. L., London, Eng. Pictorial post-cards, &c. .. .. .	20308	21 Jan.†	..	..
White, F., Boston, U.S.A. (See Regenerated Cold Air Company, No. 20107.)				
White, G. W. J., Ryde, N.S.W. Exhaust-steam superheater .. .. .	20262	1 Nov.	110	14 Dec.
Whitelaw, H. J., and another, Palmerston North, N.Z. Lifting and lowering blinds	20275	3 Nov.	..	..
Whitmore, T. V., Christchurch, N.Z. Toasting appliance .. .. .	20322	14 Nov.	106	1 Dec.*
Williams, A., Auckland, N.Z. Funnel or filter .. .. .	20364	20 Nov.	6	25 Jan., 1906.*
Williams, A. G. R., Petone, N.Z. Safety-lamp .. .. .	20132	4 Oct.	101	16 Nov.*
Williams, R., Waikata, N.Z. Oil-filter .. .. .	20147	7 Oct.	110	14 Dec.*
Williams, R., Waikata, N.Z. Railway coupling .. .. .	20152	7 Oct.	..	..
Wilson, J., Christchurch, N.Z. Index-file .. .. .	20328	17 Nov.	106	1 Dec.*
Wilson, T. H., Brisbane, Queensland. Journal bearings .. .. .	20339	20 Nov.	2	11 Jan., 1906.
Winch, W. J., Kalgoolie, W.A. Beer, &c., pump .. .. .	20346	22 Nov.	2	11 Jan., 1906.
Winstone, E. C., and another, Christchurch, N.Z. Attaching models to dental articulator	20396	28 Nov.	2	11 Jan., 1906.*
Winter, G., and another, Pleasant Point, N.Z. Bagging and stacking grain	20410	4 Dec.	2	11 Jan., 1906.*
Wise, F. W., Christchurch, N.Z. Filler for boot .. .. .	20196	19 Oct.	96	2 Nov.*
Wise, F. W., Wellington, N.Z. Clothes-washing machine .. .. .	20424	7 Dec.	2	11 Jan., 1906.
Witt. (See de Witt.)				
Wolfe, G. F., Boston, U.S.A. (See United Shoe Machinery Company, No. 20452.)				
Wood, H., and others, London, Eng. Incandescent burner .. .. .	20487	21 Dec.	..	..
Wood, H. A. W. (See W. E. Hughes, No. 20355.)				
Wood, H. J., Christchurch, N.Z. Cooking-utensil .. .. .	20343	21 Nov.	106	1 Dec.*
Worsfold, A., Sydney, N.S.W. Vehicle-seat .. .. .	20204	17 Oct.	106	1 Dec.
Wrigley, E., Auckland, N.Z. Bar-shears .. .. .	20400	29 Nov.	2	11 Jan., 1906.*
Wynne, W. P., and another, Ballarat, Vic. Ore-furnace .. .. .	18838	6 Dec., 1904..	96	2 Nov.
Wynyard, M. H., and another, Onehunga, N.Z. Treating flax .. ..	18917	31 Dec., 1904..	106	1 Dec.
Young, J. W., Invercargill, N.Z. Brooch-pin fastening .. .. .	20287	8 Nov.	106	1 Dec.*

Alphabetical List of Inventions for Quarter ending 31st December, 1905.

THIS list includes also (1) applications lodged prior to but gazetted during the quarter, (2) complete specifications following provisional specifications accepted and gazetted during the quarter. Where the number and date of the Gazette are omitted, the application has not yet been accepted.

\* Denotes a provisional specification. † Denotes a prior date under section 106 of "The Patents, Designs, and Trade Marks Act, 1889."

Invention.	Name.	Application.		Gazette.	
		No.	Date.	No.	Date.
Access to railway-trucks, Preventing unauthorised	C. Maaskant .. .. .	20418	7 Dec.	2	11 Jan., 1906.
Account-books, Loose-leaf .. .. .	J. T. Steele .. .. .	20250	30 Oct.	110	14 Dec.
Accounts, Means for keeping .. .. .	A. Hopwood .. .. .	19000	28 Jan.	91	19 Oct.
Acetylene-generator .. .. .	E. P. Andreas .. .. .	20038	14 Sept.	96	2 Nov.
Acetylene-generator .. .. .	C. H. Bissaker .. .. .	20071	21 Sept.	96	2 Nov.
Acetylene-generator .. .. .	E. C. Kilgour .. .. .	20447	14 Dec.	6	25 Jan., 1906.

## ALPHABETICAL LIST OF INVENTIONS—continued.

Invention.	Name	Application.		Gazette.	
		No.	Date.	No.	Date.
Acetylene lamp and generator ..	T. H. Hawkins .. ..	20326	16 Nov. ..	2	11 Jan., 1906.
Advertiser for cigarettes ..	J. N. McConnell .. ..	20374	25 Nov. ..	110	14 Dec.*
Advertising-device and time-table ..	W. J. Rae .. ..	18749	16 Nov., 1904	91	19 Oct.
Aerator, Milk-cooler and ..	R. Stevens .. ..	20259	31 Oct. ..	101	16 Nov.*
Air-treating apparatus ..	Regenerated Cold Air Company ..	20107	28 Sept. ..	101	16 Nov.
Alarm. (See Fire-alarm.)					
Album, Finger-print ..	A. F. Billing .. ..	20303	11 Nov. ..	110	14 Dec.*
Alleyway, or travelling-race ..	C. Rask and E. A. Cameron ..	20112	23 Sept. ..	96	2 Nov.*
Almanack, Pictorial ..	E. L. White .. ..	20308	21 Jan.† ..	..	..
Ammonia, Manufacture of ..	C. F. Lungley .. ..	20423	7 Dec. ..	2	11 Jan., 1906.*
Anchor. (See Dredge-anchor.)					
Animal-trap ..	R. J. Fry .. ..	20441	12 Dec. ..	2	11 Jan., 1906.*
Animal and weed destruction ..	B. Locking .. ..	20406	5 Dec. ..	..	..
Animals, Feeding-apparatus for ..	W. McKinnon .. ..	18950	12 Jan. ..	101	16 Nov.
Animal-cover fastening ..	A. Campbell .. ..	20191	4 Oct. ..	..	..
Animal-cover fastening ..	W. J. J. Griffiths .. ..	20278	4 Nov. ..	..	..
Antidote and tonic ..	W. B. Brain .. ..	20381	23 Nov. ..	..	..
Antimonial ores, Treating ..	G. C. de Witt .. ..	20248	30 Oct. ..	106	1 Dec.
Artesian-well pipes, Suction-collar for ..	W. Porch .. ..	20337	20 Nov. ..	..	..
Articulator, dental, Attaching model to Axle. (See Wheel-axle.)	L. H. Potton and E. C. Winstone	20396	28 Nov. ..	..	..
Bagging and stacking threshed grain ..	M. Saunders and G. Winter ..	20410	4 Dec. ..	2	11 Jan., 1906.*
Bag. (See mail-bag.)					
Bag-stand ..	W. Costello .. ..	20401	2 Dec. ..	2	11 Jan., 1906.*
Bail. (See Cow-bail, Milking-bail.)					
Bait, Artificial ..	L. A. Walsh .. ..	20464	18 Dec. ..	6	25 Jan., 1906.
Bakers' peels, Attaching handles to ..	J. C. Legg .. ..	18829	3 Dec., 1904	110	14 Dec.
Bar-shears ..	E. Wrigley .. ..	20400	29 Nov. ..	110	14 Dec.*
Bearings. (See Journal-bearings, Shaft-bearings.)				2	11 Jan., 1906.*
Beater. (See Egg-beater.)					
Beer-pump ..	W. J. Winch .. ..	20346	22 Nov. ..	2	11 Jan., 1906.
Bench. (See Saw bench.)					
Bicycle-pump ..	G. I. Lowe .. ..	20113	30 Sept. ..	96	2 Nov.*
Bicycle toe-clip ..	A. W. Loone .. ..	20368	23 Nov. ..	110	14 Dec.*
Bicycle. (See also Cycle.)					
Billiards scorer ..	E. Broughton .. ..	20302	7 Nov. ..	106	1 Dec.*
Billiard-table, Raising surface of ..	J. F. Lutjohann .. ..	20490	19 Dec. ..	6	25 Jan., 1906.*
Binder ..	H. E. Dade .. ..	20138	5 Oct. ..	101	16 Nov.
Binder, Stooking attachment to ..	H. Buckeridge .. ..	20446	13 Dec. ..	2	11 Jan., 1906.*
Bird-trap ..	A. M. Grainger .. ..	19999	5 Sept. ..	96	2 Nov.*
Black-sand elevator and concentrator ..	T. Samuel .. ..	20370	23 Nov. ..	110	14 Dec.*
Blight, Treating, in potatoes ..	J. Strathern .. ..	20427	5 Dec. ..	2	11 Jan., 1906.*
Blight, Destroying, on plants ..	W. Shephard .. ..	20494	22 Dec. ..	..	..
Blind. (See Sun-blind, Venetian blind, Window-blind.)					
Blind, Writing-appliance for the ..	G. Harvey .. ..	20431	11 Dec. ..	2	11 Jan., 1906.*
Block. (See Building-block, Half-tone process block, Pressure-block.)					
Blood-drying process ..	J. R. Hatmaker .. ..	20360	23 Nov. ..	2	11 Jan., 1906.
Blotter and cuff-protector ..	A. H. Baskiville .. ..	20150	6 Oct. ..	106	1 Dec.*
Boat, Submarine ..	H. J. Wallis .. ..	20246	27 Oct. ..	6	25 Jan., 1906.*
Boiler. (See Steam-boiler, Washing-boiler, Water-tube boiler.)					
Bolt-hole, Preventing leakage round ..	F. G. Price .. ..	19685	6 July ..	110	14 Dec.
Book. (See Account-book, Order-book, View-book.)					
Boot and shoe machinery ..	A. Harrington and W. Spiers ..	20413	6 Dec. ..	2	11 Jan., 1906.
Boot-fastener inserting machine ..	United Shoe Machinery Company	20139	5 Oct. ..	91	19 Oct.*
Boot-filler ..	F. W. Wise .. ..	20196	19 Oct. ..	96	2 Nov.*
Boot-heel ..	R. Barnes .. ..	20484	21 Dec. ..	..	..
Boot-heel, Top-piece for ..	P. Y. Harrison and R. H. Southall	20292	10 Nov. ..	2	11 Jan., 1906.
Boot-sock ..	N. J. Ravn and P. Duncan ..	20369	23 Nov. ..	..	..
Boot, Toe-plate for ..	L. H. Hicks and A. N. Cooke ..	20420	7 Dec. ..	..	..
Boot-trimming machine ..	United Shoes Machinery Company	19051	9 Feb. ..	2	11 Jan., 1906.
Boot-turning machine ..	United Shoe Machinery Company	20317	15 Nov. ..	106	1 Dec.*
Boring apparatus ..	J. Glossop .. ..	20392	27 Nov. ..	110	14 Dec.*
Bottle ..	A. Houseman .. ..	20223	25 Oct. ..	6	25 Jan., 1906.
Bottle-closure ..	A. Houseman .. ..	20190	19 Oct. ..	106	1 Dec.
Bottle, Wire suspender for ..	J. Sharpe .. ..	20068	21 Sept. ..	96	2 Nov.
Bottle. (See Feeding-bottle, Non-refillable-bottle.)					
Bottle and stopper ..	W. H. Nosworthy and S. J. Prescott	20268	2 Nov. ..	106	1 Dec.
Bowl or ball tester ..	W. Dall .. ..	18929	7 Jan. ..	106	1 Dec.
Box. (See Butter-box, Cardboard box, Sluice-box, Tobacco cutter and box.)					
Bracket. (See Spouting-bracket.)					
Brake. (See Railway-brake.)					
Brand. (See Sheep-brand.)					
Bread-crumbler ..	E. F. B. Kenyon and S. S. Titt ..	19112	21 Feb. ..	2	11 Jan., 1906.
Bread-making ..	S. B. Apostoloff .. ..	20312	14 Nov. ..	2	11 Jan., 1906.
Bread-tin ..	W. Campbell .. ..	20127	4 Oct. ..	96	2 Nov.*



ALPHABETICAL LIST OF INVENTIONS—continued.

Invention.	Name.	Application.		Gazette.	
		No.	Date.	No.	Date.
Bread, Process of making .. .. .	E. S. Baldwin and H. H. Rayward	18806	19 Dec., 1903†	110	14 Dec.
Bridge, Fire- .. .. .	C. J. Johnson and J. Carlaw .. .. .	20398	1 Dec. .. .. .	..	..
Brooch-fastening .. .. .	G. Totman .. .. .	20332	18 Nov. .. .. .	..	..
Brooch-pin fastener .. .. .	J. W. Young .. .. .	20287	8 Nov. .. .. .	106	1 Dec.*
Broom-rack .. .. .	J. Crook .. .. .	19932	19 Aug. .. .. .	96	2 Nov.
Brush and glove combined .. .. .	J. A. Head .. .. .	20176	12 Oct. .. .. .	101	16 Nov.
Bucket, Mop-wringer attachment to .. .. .	G. Stevenson .. .. .	18889	23 Dec., 1904	91	19 Oct.
Buckle. (See Skeith-buckle.)					
Building-block .. .. .	J. O. Galbally .. .. .	19198	13 March .. .. .	110	14 Dec.
Building-block, Composition for .. .. .	R. H. Robson .. .. .	20459	15 Dec. .. .. .	..	..
Buildings, Ventilator for .. .. .	W. Muir .. .. .	20181	14 Oct. .. .. .	96	2 Nov.*
Burner. (See Gas-burner, Liquid-fuel burner, Vapour-burner.)					
Butter-box .. .. .	J. Dunning .. .. .	19839	3 Aug. .. .. .	96	2 Nov.*
Butter, Manufacture of .. .. .	M. B. L. Ehrmann .. .. .	20475	20 Dec. .. .. .	6	25 Jan., 1906.
Butter, provision, and liquid cooler .. .. .	R. Coates, J. Lees, and L. E. de Mole	20315	15 Nov. .. .. .	110	14 Dec.*
Butter-washer and churn .. .. .	E. Barrett .. .. .	20481	21 Dec. .. .. .	..	..
Cable-grip .. .. .	G. Cradock .. .. .	20247	30 Oct. .. .. .	110	14 Dec.
Cacao sugar and milk compound .. .. .	J. R. Hatmaker .. .. .	20166	20 Oct., 1904†	101	16 Nov.
Calcium-carbide, Generating acetylene from .. .. .	E. P. Andreas .. .. .	20038	14 Sept. .. .. .	96	2 Nov.
Can. (See Milk-can, Preserve-can.)					
Can-washing valve .. .. .	J. E. Day .. .. .	20289	10 Nov. .. .. .	101	16 Nov.*
Capsules, making filled .. .. .	G. J. Henderson .. .. .	20290	10 Nov. .. .. .	110	14 Dec.
Car. (See Motor-car, Railway-car, Tram-car.)					
Carburettng apparatus .. .. .	R. L. Morrall .. .. .	20218	25 Oct. .. .. .	106	1 Dec.
Cardboard-box making and filling machine .. .. .	The British-American Machinery Company, Limited	20419	7 Dec. .. .. .	2	11 Jan., 1906.
Cardboard-box manufacture .. .. .	R. D. Haworth .. .. .	20433	11 Dec. .. .. .	2	11 Jan., 1906.*
Card. (See Playing-card, Post-card.)					
Cards, Game of .. .. .	T. S. Philpott .. .. .	20313	15 Nov. .. .. .	106	1 Dec.*
Carpenters' gauge .. .. .	J. H. Nicholls .. .. .	20379	27 Nov. .. .. .	..	..
Carpet, linoleum, &c. .. .. .	W. E., J. T., and A. G. Catesby .. .. .	19127	21 Feb. .. .. .	110	14 Dec.
Carriage and spacer for typewriter .. .. .	A. Schultze .. .. .	20273	28 Oct. .. .. .	..	..
Carrier. (See Egg carrier or holder.)					
Cart. (See Go cart.)					
Case. (See Fruit-case, Show-case.)					
Casein and milk sugar, Obtaining, from milk .. .. .	J. R. Hatmaker .. .. .	20167	11 Oct., 1904†	101	16 Nov.
Casks .. .. .	Machine-made Casks, Limited .. .. .	20506	28 Dec. .. .. .	..	..
Casks, Stave-preparing for .. .. .	Machine-made Cask-, Limited .. .. .	20505	8 Dec. .. .. .	..	..
Catch. (See Spring catch, Snap-catch.)					
Cattle-drench administering appliance .. .. .	A. E. Sykes .. .. .	20214	24 Oct. .. .. .	106	1 Dec.*
Cement, Manufacture of .. .. .	A. G. French .. .. .	20378	27 Nov. .. .. .	110	14 Dec.*
Chaff-cutter .. .. .	H. Cliff, J. C. Bunting, and F. E. Cliff	20291	10 Nov. .. .. .	101	16 Nov.*
Chair, Easy .. .. .	J. McCarthy .. .. .	20266	30 Oct. .. .. .	110	14 Dec.
Chamber, Bedroom .. .. .	T. H. Anderson .. .. .	20399	1 Dec. .. .. .	..	..
Channelling and rounding machine, rough .. .. .	United Shoe Machinery Company	20452	14 Dec. .. .. .	2	11 Jan., 1906.*
Cheque-form .. .. .	A. Collier .. .. .	20471	20 Dec. .. .. .	6	25 Jan., 1906.
Chest. (See Ice chest, Preserving-chest.)					
Churn and butter-washer .. .. .	E. Barrett .. .. .	20481	21 Dec. .. .. .	..	..
Cigarette maker and advertiser .. .. .	J. N. McConnell .. .. .	20374	25 Nov. .. .. .	110	14 Dec.*
Cigar machinery .. .. .	International Cigar Machinery Company	20080	22 Sept. .. .. .	96	2 Nov.
Cleaner. (See Grain and seed cleaner, Knife-cleaner, Shot-gun cleaner.)					
Clip. (See Toe-clip.)					
Closure. (See Bottle-closure.)					
Clothes-washing machine .. .. .	F. W. Wise .. .. .	20424	7 Dec. .. .. .	2	11 Jan., 1906.
Coal-boring drill .. .. .	W. McIntyre .. .. .	20333	18 Nov. .. .. .	..	..
Coal from railway-truck, Removing .. .. .	W. Nicol .. .. .	20333	28 Nov. .. .. .	2	11 Jan., 1906.
Cocksfoot-thresher .. .. .	H. C. Thomsen .. .. .	20245	28 Oct. .. .. .	2	11 Jan., 1906.*
Codlin-moth, Liquid for destroying .. .. .	W. Brewster .. .. .	20159	10 Oct. .. .. .	96	2 Nov.*
Coffee and milk compound, Dry .. .. .	J. R. Hatmaker .. .. .	20359	23 Nov. .. .. .	2	11 Jan., 1906.
Collar. (See Horse-collar.)					
Combination tool .. .. .	J. Burns .. .. .	20211	21 Oct. .. .. .	106	1 Dec.*
Comb. (See Toilet-comb.)					
Comb and seed-sower .. .. .	W. J. Chambers .. .. .	20318	13 Nov. .. .. .	106	1 Dec.*
Compound deal-forming machine .. .. .	G. W. Mellor .. .. .	20358	23 Nov. .. .. .	..	..
Concentrator. (See Black sand concentrator.)					
Controller. (See Gas-burner controller, Liquid-controller, Trolley-pole controller.)					
Cooking-apparatus for use with gas-burners .. .. .	B. Arnot .. .. .	20160	10 Oct. .. .. .	106	1 Dec.
Cooking-range .. .. .	S. Priest, jun. .. .. .	20403	29 Nov. .. .. .	2	11 Jan., 1906.*
Cooking-utensil .. .. .	H. J. Wood .. .. .	20343	21 Nov. .. .. .	106	1 Dec.*
Cool-safe .. .. .	S. Banks and E. J. W. Jones .. .. .	20495	22 Dec. .. .. .	..	..

## ALPHABETICAL LIST OF INVENTIONS—continued.

Invention.	Name.	Application.		Gazette.	
		No.	Date.	No.	Date.
Cooler. (See Butter, provision, and liquid-cooler, Cream-cooler, Milk-cooler.)					
Cornice .. .. .	A. Johnstone .. .. .	20244	28 Oct.	101	16 Nov.*
Cornice for window .. .. .	H. Markwick .. .. .	20288	10 Nov.	..	..
Coulters to plough, Beams securing .. .. .	R. Scobie .. .. .	19040	7 Feb.	110	14 Dec.
Coupling. (See Railway-coupling.)					
Cover. (See Animal-cover, Jug-cover.)					
Cow-bailing appliance .. .. .	A. B. Robertson and R. W. Bond	20458	15 Dec.	2	11 Jan., 1906.*
Cow-bail .. .. .	F. J. Brown .. .. .	18867	16 Dec., 1904	96	2 Nov.
Cow-leg holder .. .. .	J. Weir .. .. .	20203	17 Oct.	96	2 Nov.*
Cow's udder, Injecting sterilised air into .. .. .	G. Scott .. .. .	20104	27 Sept.	96	2 Nov.*
Cow-leg holder .. .. .	T. Higgle .. .. .	20434	11 Dec.	2	11 Jan., 1906.*
Cramp. (See Scaffolding-cramp.)					
Cream-cooler and holder .. .. .	H. Cleary .. .. .	20470	19 Dec.	6	25 Jan., 1906.*
Crimping fibrous material .. .. .	A. R. D. Mithorpe .. .. .	20249	30 Oct.	..	..
Crusher, Rotary .. .. .	F. A. Oddie .. .. .	20425	5 Dec.	2	11 Jan., 1906.*
Cuff-protector and blotter .. .. .	A. H. Baskville .. .. .	20150	6 Oct.	106	1 Dec.*
Culinary essences, Manufacture of .. .. .	Kempthorne, Prosser, and Co.'s N.Z. Drug Company, Limited	20014	9 Sept.	96	2 Nov.
Cup. (See Teat-cup)					
Cushion, Vehicle- .. .. .	G. Moore .. .. .	20179	16 Oct.	101	16 Nov.*
Cutter. (See Chaff-cutter, Mitre-cutter, Motor cross-cutter, Scrub and fern cutter, Tobacco-cutter, Wall-paper cutter.)					
Cyanide, &c., solutions, Decantation of .. .. .	Bewick, Moreing, and Co. .. .. .	20500	28 Dec.	..	..
Cycle, Fire reel carriage attached to .. .. .	R. E. Burke and M. Egan .. .. .	20409	6 Dec.	2	11 Jan., 1906.*
Cycle, Pedal-gear for .. .. .	J. H. McFarlane .. .. .	19030	1 Feb.	110	14 Dec.
Cycle-gear, Compound .. .. .	W. R. Garner .. .. .	20352	22 Nov.	110	14 Dec.*
Cycle-inflator connection, Metallic .. .. .	C. Rutland and T. J. Hardwick .. .. .	20345	22 Nov.	110	14 Dec.*
Cycle-pedal strap .. .. .	R. Weston .. .. .	20320	13 Nov.	110	14 Dec.*
Cycle. (See also Bicycle.)					
Deal-forming machine, Compound .. .. .	G. W. Mellor .. .. .	20358	23 Nov.	..	..
Dental articulator, Attaching model to .. .. .	L. H. Potton and E. C. Winstone	20396	28 Nov.	2	11 Jan., 1906.*
Dental instrument .. .. .	E. G. Gresham .. .. .	20341	20 Nov.	110	14 Dec.*
Dental plate .. .. .	E. G. Gresham .. .. .	20340	20 Nov.	110	14 Dec.*
Detergent powder .. .. .	P. Bock .. .. .	19396	26 April	88	5 Oct.*
Detonator .. .. .	W. H. Edwards .. .. .	20408	6 Dec.	..	..
Dew collecting reservoir .. .. .	A. J. and G. Hubbard and A. W. S. Cross	20271	23 June†	2	11 Jan., 1906.
Directory, Household .. .. .	R. J. Collins .. .. .	20363	20 Nov.	..	..
Disc plough .. .. .	F. Cooper .. .. .	20284	6 Nov.	106	1 Dec.*
Distributor for seeding-machine .. .. .	American Seeding-machine Com- pany	20217	25 Oct.	106	1 Dec.
Diving-dress .. .. .	A. McLeod .. .. .	20177	12 Oct.	96	2 Nov.*
Door. (See Oven-door.)					
Drain and road forming machine .. .. .	O. Paora .. .. .	20300	8 Nov.	106	1 Dec.*
Draught-preventer .. .. .	T. Hurd .. .. .	20234	24 Oct.	101	16 Nov.*
Dray-chain, Spreader for .. .. .	F. V. Raymond .. .. .	18983	19 Jan.	106	1 Dec.
Dray, Weighing-attachment to .. .. .	A. S. Ford .. .. .	20157	10 Oct.	101	16 Nov.*
Dredge-anchor .. .. .	D. Caithness and J. P. Graham .. .. .	20397	1 Dec.	2	11 Jan., 1906.*
Dredge, Gold-saving .. .. .	J. H. Jones and W. Kane .. .. .	20394	28 Nov.	2	11 Jan., 1906.*
Dredge-tumbler shaft, Sleeve for .. .. .	C. McDonald .. .. .	20201	17 Oct.	101	16 Nov.*
Dredge-tumbler and shaft .. .. .	R. R. Douglas .. .. .	20510	29 Dec.	6	25 Jan., 1906.*
Drench-appliance, Cattle .. .. .	A. E. Sykes .. .. .	20214	24 Oct.	106	1 Dec.*
Dried-milk manufacture .. .. .	J. S. MacLaurin and W. S. La Trobe	20407	5 Dec.	110	14 Dec.*
Drill, Coal boring .. .. .	W. McIntyre .. .. .	20333	18 Nov.	..	..
Dropper. (See Fencing dropper.)					
Drying. (See Blood-drying, Fruit-drying.)					
Dwelling .. .. .	G. Pulman .. .. .	20426	5 Dec.	..	..
Dynamo electric generator .. .. .	R. G. Gibbols .. .. .	20351	22 Nov.	2	11 Jan., 1906.
Earthenware-kiln .. .. .	R. O. Clark .. .. .	20156	5 Oct.	110	14 Dec.*
Earth's rotation, Measuring rate of .. .. .	W. Chappell .. .. .	20299	8 Nov.	110	14 Dec.
Earthenware goods, Shaping .. .. .	R. O. Clark .. .. .	20210	19 Oct.	96	2 Nov.*
Earthenware-pipe straightening .. .. .	R. O. Clark .. .. .	20193	16 Oct.	101	16 Nov.*
Easy chair .. .. .	J. McCarthy .. .. .	20266	30 Oct.	110	14 Dec.
Eaves gutter-fascias .. .. .	F. A. Dixon .. .. .	20074	21 Sept.	96	2 Nov.
Egg-beater .. .. .	J. Peters .. .. .	18964	11 Jan.	105	1 Dec.
Egg-beater holder .. .. .	B. T. R. Greensill .. .. .	20442	12 Dec.	6	25 Jan., 1906.
Egg-carrier or holder .. .. .	E. L. Robertson .. .. .	20235	27 Oct.	101	16 Nov.*
Egg-carrier .. .. .	H. E. McDonald .. .. .	20269	2 Nov.	101	16 Nov.*
Egg-powder .. .. .	A. Nathan .. .. .	20232	26 Oct.	101	16 Nov.*
Egg-preserved, Revolving .. .. .	H. E. McDonald .. .. .	18935	10 Jan.	106	1 Dec.
Egg-tester .. .. .	R. J. Terry .. .. .	20445	13 Dec.	2	11 Jan., 1906.*
Electric-light-shade holder .. .. .	H. Leah .. .. .	20129	4 Oct.	96	2 Nov.*
Electric plaster .. .. .	L. B. Morres .. .. .	20134	5 Oct.	..	..
Electric wires, Insulator for .. .. .	T. Shale .. .. .	20286	8 Nov.	106	1 Dec.*
Electrical fire-alarm .. .. .	G. V. Kemsley .. .. .	20130	4 Oct.	91	19 Oct.*
Electrical fire-alarm .. .. .	G. V. Kemsley .. .. .	20131	4 Oct.	91	19 Oct.*
Electrical ozonizer .. .. .	C. A. Sabstrom .. .. .	19650	28 June	110	14 Dec.

ALPHABETICAL LIST OF INVENTIONS—continued.

Invention.	Name.	Application.		Gazette.	
		No.	Date.	No.	Date.
Elevator. (See Black-sand elevator, Goods-elevator, Threshing-machine elevator.)					
Engraving plates .. .. .	J. Hanton .. .. .	20417	7 Dec. ..	2	11 Jan., 1906.
Essence. (See Culinary essence.)					
Eyelets, apparatus for assorting and delivering	United Shoe Machinery Company	18925	9 Jan. ..	96	2 Nov.
Farm-gate .. .. .	E. N. Waters .. .. .	20140	5 Oct. ..	96	2 Nov.
Fascias, Eaves-gutter .. .. .	F. A. Dixon .. .. .	20074	21 Sept. ..	96	2 Nov.
Fastener. (See Boot-fastener, Brooch-pin fastener, Gate-fastener, Hat-fastener, Lugging-fastener, Show-case fastener, Wire-fastener.)					
Fastening-machine .. .. .	United Shoe Machinery Company	18926	9 Jan. ..	96	2 Nov.
Fastening. (See Animal cover fastening, Brooch-fastening.)					
Fastenings forming and inserting machine	United Shoe Machinery Company	20453	14 Dec. ..	2	11 Jan., 1906.*
Feeder. (See Poultry-feeder)					
Feeding apparatus for animals and fowls	W. McKinnon .. .. .	18950	12 Jan. ..	101	16 Nov.
Feeding-bottle protector .. .. .	J. Ellen .. .. .	20118	30 Sept. ..	106	1 Dec.
Fencing dropper .. .. .	H. Butters .. .. .	20264	1 Nov. ..	106	1 Dec.*
Fencing-dropper .. .. .	W. W. Gurdrie .. .. .	20270	2 Nov. ..	..	..
Fencing-standard .. .. .	W. B. Jones .. .. .	20188	24 Nov. ..	106	1 Dec.*
Fender for tram-car .. .. .	J. L. Kirkbride .. .. .	20443	11 Dec. ..	..	..
Fibre. (See Flax-fibre.)					
Fibre-treating apparatus .. .. .	A. L. J. Tait .. .. .	20229	26 Oct. ..	101	16 Nov.*
Fibrous material, Crimping .. .. .	A. R. Donisthorpe .. .. .	20249	30 Oct. ..	..	..
File. (See Letter-index file.)					
Filler. (See Boot-filler, Milk-can filler.)					
Filler or funnel .. .. .	A. Williams .. .. .	20364	20 Nov. ..	6	25 Jan., 1906.*
Filter. (See Oil-filter, Slimes-filter.)					
Finger-print album .. .. .	A. F. Billing .. .. .	20303	11 Nov. ..	110	14 Dec.*
Fire-alarm .. .. .	A. H. McNeil .. .. .	20414	6 Dec. ..	2	11 Jan., 1906.
Fire-alarm attachment to telephone .. .. .	F. J. Farrell .. .. .	18974	16 Jan. ..	110	14 Dec.
Fire-alarm, Automatic .. .. .	W. G. Meddings .. .. .	20173	10 Oct. ..	101	16 Nov.*
Fire-alarm, Automatic .. .. .	A. Taylor, J. M. Langley, and N. A. McDowell	19925	23 Aug. ..	110	14 Dec.
Fire-alarm, Electrical .. .. .	G. V. Kemsley .. .. .	20130	4 Oct. ..	91	19 Oct.*
Fire-alarm, Electrical .. .. .	G. V. Kemsley .. .. .	20131	4 Oct. ..	91	19 Oct.*
Fire-bridge .. .. .	C. J. Johnson and J. Cariaw	20398	1 Dec. ..	..	..
Fire-plug .. .. .	T. W. Fowler .. .. .	20254	30 Oct. ..	101	16 Nov.*
Fire-reel carriage attached to cycle .. .. .	R. E. Burke and M. Egan	20409	6 Dec. ..	2	11 Jan., 1906.*
Fish-hook .. .. .	L. A. Walsh .. .. .	20464	18 Dec. ..	6	25 Jan., 1906.
Fish-plate for railway-rails .. .. .	S. Rodgers .. .. .	20460	14 Dec. ..	..	..
Fish-plate for railway-rails .. .. .	S. Rodgers .. .. .	20477	18 Dec. ..	..	..
Flanging-machine, Earthenware .. .. .	R. O. Clark .. .. .	20210	19 Oct. ..	96	2 Nov.*
Flax-bale, Depositing tickets in .. .. .	J. Pomeroy .. .. .	20233	26 Oct. ..	101	16 Nov.*
Flax-dressing .. .. .	E. W. H. Hutten .. .. .	20331	15 Nov. ..	2	11 Jan., 1906.*
Flax-fibre, drying and bleaching .. .. .	P. E. Baldwin .. .. .	20304	11 Nov. ..	106	1 Dec.*
Flax, Treating, after stripping .. .. .	C. Sutcliffe and M. H. Wynyard	18917	31 Dec., 1904	106	1 Dec.
Flax, Treating New Zealand .. .. .	K. Matthews .. .. .	20468	28 Dec. ..	2	11 Jan., 1906.*
Flax process .. .. .	K. Matthews .. .. .	20507	28 Dec. ..	2	11 Jan., 1906.*
Flax-tail stripper .. .. .	W. Dempsey .. .. .	20142	3 Oct. ..	2	11 Jan., 1906.*
Fluid-pressure turbine .. .. .	E. T. Pollard .. .. .	18879	20 Dec., 1904	96	2 Nov.
Fly-catcher .. .. .	J. F. Peters .. .. .	20416	2 Dec. ..	..	..
Food. (See Milk-food)					
Foods, Sterilising and preserving, with gases	H. J. R. Hemming .. .. .	20456	31 Dec., 1904†	6	25 Jan., 1906.
Forge-treating apparatus .. .. .	T. H. Mapp .. .. .	20316	15 Nov. ..	106	1 Dec.*
Frame. (See Picture-frame.)					
Fruit-case .. .. .	R. F. Thomas and S. A. Bradley	20338	20 Nov. ..	..	..
Fruit-drying process .. .. .	J. R. Hatmaker .. .. .	20361	24 Nov., 1904†	2	11 Jan., 1906.
Fuel. (See Liquid fuel.)					
Funnel .. .. .	S. B. Forscutt .. .. .	20467	18 Dec. ..	6	25 Jan., 1906.*
Funnel or filler .. .. .	A. Williams .. .. .	20364	20 Nov. ..	6	25 Jan., 1906.*
Furnace. (See Ore-furnace.)					
Furnace, Supplying liquid fuel to .. .. .	W. Anderson, jun. .. .. .	20161	12 Oct. ..	101	16 Nov.
Game .. .. .	D. Whitburn .. .. .	20437	9 Dec. ..	2	11 Jan., 1906.*
Game .. .. .	L. H. Burgoyne .. .. .	20373	25 Nov. ..	110	14 Dec.*
Game of cards .. .. .	T. S. Philpott .. .. .	20313	15 Nov. ..	106	1 Dec.*
Gas-burner, Cooking apparatus for use with	B. Arnot .. .. .	20160	10 Oct. ..	106	1 Dec.
Gas-burner, Controller for ignition of .. .. .	V. C. J. Nightingale .. .. .	20149	6 Oct. ..	101	16 Nov.
Gas burner, Petroleum-vapour .. .. .	R. W. Stuart .. .. .	20184	17 Oct. ..	101	16 Nov.
Gas burner, Incandescent .. .. .	L. Stegenberg, jun. .. .. .	20430	11 Dec. ..	2	11 Jan., 1906.*
Gas from kerosene, Generating .. .. .	J. Mead .. .. .	20255	30 Oct. ..	101	16 Nov.*
Gas-heater for pendant, bracket, &c. .. .. .	J. Watt .. .. .	19585	8 June ..	91	19 Oct.
Gas, Production of, from hydrocarbon oils	A. Jack .. .. .	20469	19 Dec. ..	2	11 Jan., 1906.*
Gate .. .. .	G. Carrington .. .. .	18941	11 Jan. ..	101	16 Nov.
Gate. (See Farm-gate.)					

## ALPHABETICAL LIST OF INVENTIONS—continued.

Invention.	Name.	Application.		Gazette.	
		No.	Date.	No.	Date.
Gate-fastener .. .. .	R. E. Hall .. .. .	20117	30 Sept.	101	16 Nov.
Gauge, Carpenters' .. .. .	J. H. Nicholls .. .. .	20379	27 Nov.	..	..
Generator. (See Acetylene-generator, Dynamo-electric generator.)					
Glass-polishing machine .. .. .	A. Kaiser .. .. .	20356	22 Nov.	6	25 Jan., 1906.
Glass-washing machine .. .. .	W. A. H. Cameron and J. W. Marshall	20294	10 Nov.	110	14 Dec.
Glove and brush combined .. .. .	J. A. Head .. .. .	20176	12 Oct.	101	16 Nov.
Go-cart .. .. .	J. F. McNeill .. .. .	20228	5 Oct.	2	11 Jan., 1906.
Gold, Extraction of .. .. .	J. G. Slater, W. Junor, and T. H. Watson	20421	7 Dec.	2	11 Jan., 1906.*
Gold-refining process .. .. .	D. Clark .. .. .	20169	12 Oct.	96	2 Nov.*
Gold-saving apparatus .. .. .	F. W. Payne .. .. .	20411	2 Dec.	..	..
Gold-saving dredge .. .. .	J. H. Jones and W. Kane .. .. .	20394	28 Nov.	2	11 Jan., 1906.*
Gold-saving appliance .. .. .	J. Richmond .. .. .	18971	14 Jan.	106	1 Dec.
Gold-saving table .. .. .	A. T. W. Allan and W. McCullough	20115	25 Sept.	106	1 Dec.*
Gold, silver, &c., Extraction of .. .. .	F. Mackay and A. J. Beckwith .. .. .	20133	5 Oct.	106	1 Dec.
Gold, Separation of .. .. .	F. Marsh .. .. .	20197	19 Oct.	106	1 Dec.*
Gold, Extraction of .. .. .	F. Marsh .. .. .	20198	19 Oct.	106	1 Dec.*
Gold-saving, Sluice-box for .. .. .	R. P. Park .. .. .	20488	21 Dec.	2	11 Jan., 1906.*
Goods-elevator, Automatic discharge	C. Kolling .. .. .	20483	21 Dec.	..	..
Governor .. .. .	N. Lombard .. .. .	19425	4 May	88	5 Oct.
Grain-riddle .. .. .	H. House .. .. .	20497	28 Dec.	6	25 Jan., 1906.*
Grain and seed cleaner .. .. .	M. Hogan .. .. .	20291	25 Nov.	..	..
Grain-dressing .. .. .	W. Hall .. .. .	20319	13 Nov.	6	25 Jan., 1906.
Grain bagging and stacking .. .. .	M. Saunders and G. Winter .. .. .	20410	4 Dec.	2	11 Jan., 1906.*
Grinding-pan, Shoe and die of .. .. .	W. Middleton and H. N. G. Cobbe	20221	25 Oct.	106	1 Dec.
Grip. (See Cable-grip, Rope-grip.)					
Gum. (See Kauri-gum.)					
Gun. (See Shot-gun)					
Gutter, Roof .. .. .	J. O'Dowd .. .. .	19629	26 June	106	1 Dec.
Hair-pin .. .. .	W. A. McKay and J. H. Cobb .. .. .	18862	15 Dec., 1904	96	2 Nov.
Half-tone process block .. .. .	E. J. Martin and A. C. Sutton .. .. .	20327	16 Nov.	106	1 Dec.
Hammer. (See Power-hammer.)					
Harvester. (See Potato-harvester.)					
Hat-fastener .. .. .	J. Fenton .. .. .	20151	6 Oct.	96	2 Nov.*
Heater. (See Gas heater.)					
Heel. (See Boot-heel, Shoe-heel.)					
Hill-climbing device .. .. .	J. Connell .. .. .	20116	28 Sept.	101	16 Nov.
Holder. (See Cow-leg holder, Cream cooler and holder, Egg-beater holder, Egg carrier and holder, Music-holder, Shade-holder.)					
Hoof-pad for horse shoe .. .. .	B. P. Gray .. .. .	20171	6 Jan., 1905†	6	25 Jan., 1906.
Hook. (See Fish-hook.)					
Horse-collar .. .. .	J. H. Love .. .. .	20146	3 Oct.	96	2 Nov.*
Horse from kicking, Preventing .. .. .	J. R. Charlton .. .. .	20119	30 Sept.	101	16 Nov.
Horse from kicking, Preventing .. .. .	H. Heavener, jun. .. .. .	20224	25 Oct.	..	..
Horse-shoe, Hoof-pad for .. .. .	B. P. Gray .. .. .	20171	6 Jan., 1905†	6	25 Jan., 1906.
Household directory .. .. .	R. J. Collins .. .. .	20363	20 Nov.	..	..
House, Studless .. .. .	T. F. Brown and D. and J. Solomon	19891	17 Aug.	110	14 Dec.
Hydraulic nozzle .. .. .	G. J. Henry, jun. .. .. .	20422	7 Dec.	2	11 Jan., 1906.
Hydro-carbon oils, Production of gas from	A. Jack .. .. .	20469	19 Dec.	..	..
Ice chest .. .. .	H. E. McDonald and L. V. Diamanti	20274	3 Nov.	106	1 Dec.*
Ice-chest .. .. .	J. A. E. Loudon .. .. .	20372	22 Nov.	6	25 Jan., 1906.*
Incandescent-vapour burner .. .. .	A. Blanchard, H. Wood, and E. A. H. Burgoyne	20487	21 Dec.	..	..
Index file, Letter .. .. .	J. Wilson .. .. .	20328	17 Nov.	106	1 Dec.*
Indicator. (See Station-indicator.)					
Inflator connection, Cycle- .. .. .	C. Rutland and T. J. Hardwick .. .. .	20345	22 Nov.	110	14 Dec.*
Inflating rubber tires .. .. .	A. G. Lavertine and J. E. McNeilan	20466	18 Dec.	6	25 Jan., 1906.
Injecting air into cow's udder.. .. .	G. Scott .. .. .	20104	27 Sept.	96	2 Nov.*
Insecticide .. .. .	W. Brewster .. .. .	20159	10 Oct.	96	2 Nov.*
Insulator for electric wires .. .. .	T. Shale .. .. .	20286	8 Nov.	106	1 Dec.*
Iron-stand .. .. .	D. M. Barnett .. .. .	20168	12 Oct.	101	16 Nov.
Iron. (See Stirrup-iron.)					
Iron and steel manufacture .. .. .	T. J. Heskett .. .. .	20491	22 Dec.	6	25 Jan., 1906.*
Jack. (See Wheel-jack.)					
Journal-bearings .. .. .	T. H. Wilson .. .. .	20339	20 Nov.	2	11 Jan., 1906.
Jug-cover .. .. .	F. W. Paterson .. .. .	19125	20 Feb.	110	14 Dec.
Kauri-gum sieve .. .. .	J. J. Evans, W. H. Wharfe, and T. E. Litherland	20209	18 Oct.	101	16 Nov.*
Kerosene, Generating gas from .. .. .	J. Mead .. .. .	20255	30 Oct.	101	16 Nov.*
Kerosene tin, Emptying .. .. .	R. A. Haughton .. .. .	20055	18 Sept.	2	11 Jan., 1906.
Kettle and saucepan .. .. .	C. H. Harris .. .. .	20281	7 Nov.	106	1 Dec.*
Key, Spring .. .. .	J. McNarry .. .. .	20493	20 Dec.	6	25 Jan., 1906.*
Kiln. (See Earthenware kiln.)					

ALPHABETICAL LIST OF INVENTIONS—continued.

Invention.	Name.	Application.		Gazette.	
		No.	Date.	No.	Date.
Knee-ring, Pneumatic	E. G. Gresham and A. Gray	20405	4 Dec.	..	..
Knife-cleaner	R. E. Smallbone	20267	2 Nov.	101	16 Nov.*
Label for mail-bag	O. T. Madeley	20195	19 Oct.	2	11 Jan., 1906.*
Lamp. (See Acetylene-lamp, Painters' lamp, Petroleum-lamp, Safety-lamp.)					
Lasting-machine	United Shoe Machinery Company	20450	14 Dec.	2	11 Jan., 1906.*
Lead-sulphate, Production of, from sulphide ores	F. Mackay and A. J. Beckwith	20133	5 Oct.	106	1 Dec.
Leakage round bolt-holes, Preventing	F. G. Price	19685	6 July	110	14 Dec.
Legging-fastener	J. G. ter-Hofsteede	20182	17 Oct.	101	16 Nov.*
Leg-roping appliance	F. J. Brown	18868	16 Dec., 1904	96	2 Nov.
Leg-rope, Snapcatch for	C. E. Hayward, jun., and W. E. Hunter	20215	24 Oct.	2	11 Jan., 1906.
Letter-index file	J. Wilson	20328	17 Nov.	106	1 Dec.*
Life-saving raft	W. J. Nankivell	20285	8 Nov.	106	1 Dec.*
Lighter, Tobacco-	W. P. MacIntosh	20065	21 Sept.	106	1 Dec.
Lights, Timing-apparatus for shutting off	T. O'Neil	20213	24 Oct.	106	1 Dec.*
Lining for tubemills, &c.	H. P. Barry	20436	9 Dec.	2	11 Jan., 1906.*
Linoleum, carpet, &c.	W. E., J. T., and A. G. Catesby	19127	21 Feb.	110	14 Dec.
Liquid-controller	A. W. Reid	20172	12 Oct.	96	2 Nov.*
Liquid-fuel burner	F. Cotton	20258	31 Oct.	101	16 Nov.
Liquid fuel, Supplying, to furnace	W. Anderson, jun.	20161	12 Oct.	101	16 Nov.
Liquid-measure	J. Anderson and J. D. Hunter	20402	29 Nov.	2	11 Jan., 1906.
Lock	G. H. Hart	20325	16 Nov.	106	1 Dec.*
Lock. (See Nut-lock, Sash-raiser and lock, Wheel-lock.)					
Lock, Nut-	A. A. Newnham	20314	15 Nov.	..	..
Locomotive, Steam-distribution for	W. E. Hughes	20067	21 Sept.	96	2 Nov.
Loom, Pillow-lace	F. E. McCrea	20306	11 Nov.	2	11 Jan., 1906.
Loose-leaf account-book	J. T. Steele	20250	30 Oct.	110	14 Dec.
Locomotive-valve setting machine	A. J. C. Hugo	20348	22 Nov.	2	11 Jan., 1906.
Lubricator, Wheel-	G. A. Nisbet	20154	9 Oct.	101	16 Nov.*
Mail-bag, Label for	O. T. Madeley	20195	19 Oct.	2	11 Jan., 1906.*
Manure-sower	J. Gray	19167	6 Mar.	110	14 Dec.
Manure-sower and comb	W. J. Chambers	20318	13 Nov.	106	1 Dec.*
Marbling wood or ironwork	H. Rands	18951	11 Jan.	101	16 Nov.
Mat, Non-siltable	T. Hall and F. Elvines	20283	7 Nov.	101	16 Nov.*
Match-striker	R. Dunne	20492	20 Dec.	6	25 Jan., 1906.*
Mattress. (See Wire mattress.)					
Mattress to bedstead, Clamping	S. B. Forscutt	20509	30 Dec.	6	25 Jan., 1906.*
Measure, Liquid-	J. Anderson and J. D. Hunter	20402	29 Nov.	2	11 Jan., 1906.
Meat-extract apparatus	B. Clark	20143	2 Oct.	101	16 Nov.
Meat-preserving	B. Clark	20144	2 Oct.	101	16 Nov.
Meat-preserving	A. H. Chapman	20393	28 Nov.	..	..
Meat, Salting or corning	P. H. O'Keefe	20064	21 Sept.	110	14 Dec.
Medicinal tonic	T. Vivian	20241	25 Oct.	101	16 Nov.*
Metal carting and spreading wagon	G. J. Wallace and G. Cooper	20438	12 Dec.	6	25 Jan., 1906.*
Metals, Extraction of, from ores	J. Turton	20465	18 Dec.	6	25 Jan., 1906.
Metals, Extraction of, from ores	F. Mackay and A. J. Beckwith	20133	5 Oct.	106	1 Dec.
Metals, Recovering precious	H. L. Lightner, W. Priest, and H. Feige	20137	5 Oct.	106	1 Dec.
Milk and coffee compound, Dry	J. R. Hatmaker	20359	23 Nov.	..	..
Milk, cacao, and sugar compound	J. R. Hatmaker	20166	20 Oct., 1904.†	101	16 Nov.
Milk-can	R. Walker	18945	10 Jan.	101	16 Nov.
Milk-can filler	J. Cowie	20242	26 Oct.	..	..
Milk-cooler and aerator	R. Stevens	20259	31 Oct.	101	16 Nov.*
Milk-food	A. Nathan	20231	26 Oct.	2	11 Jan., 1906.*
Milking apparatus	P. Andersen	20170	12 Oct.	106	1 Dec.
Milking-bail and stall	J. Dickason and A. McLennan	20186	17 Oct.	96	2 Nov.*
Milking-machine, Claw for	A. Gillies	20165	12 Oct.	96	2 Nov.*
Milking-machine, Mouthpiece for teat-cup of	A. Gillies	20164	12 Oct.	96	2 Nov.*
Milk, Obtaining milk-sugar and casein from	J. R. Hatmaker	20167	11 Oct., 1904.†	101	16 Nov.
Milk. (See Dried milk.)					
Mill. (See Tube-mill, Windmill.)					
Mineral-water manufacture	The Arcanum, Limited	20349	22 Nov.	2	11 Jan., 1906.
Mitre-cutter	W. E. Hill and J. Robinson	20240	15 Nov.	106	1 Dec.*
Mitre-cutter	R. Wales	19031	1 Feb.	2	11 Jan., 1906.
Model to dental articulator, Attaching	L. H. Potton and E. C. Winstone	20396	28 Nov.	2	11 Jan., 1906.*
Monoline-machine	Mergenthaler Linotype Company	20141	5 Oct.	101	16 Nov.
Mop-wringer for bucket	G. Stevenson	18889	23 Dec., 1904	91	19 Oct.
Motor-car, Electrical and oil	P. A. N. Smith and W. B. Brain	20382	25 Nov.	110	14 Dec.*
Motor cross-cutter	M. H. Roe and B. F. Cranwell	20301	8 Nov.	106	1 Dec.*
Motor, Self-propelling	H. P. Saunderson	19003	25 Jan.	2	11 Jan., 1906.
Motor speed-gear	F. R. Dennison	20502	28 Dec.	2	11 Jan., 1906.*
Music-holder	A. T. Craven	20439	12 Dec.	2	11 Jan., 1906.*
Music-holder for piano	D. T. McPhedran	20365	21 Nov.	110	14 Dec.*
Music-roller and holder	A. T. Craven	20384	25 Nov.	..	..
Music-recorder	J. J. Walker	20503	28 Dec.	..	..
Nib-ejector	W. G. Chapman	20162	12 Oct.	96	2 Nov.*

## ALPHABETICAL LIST OF INVENTIONS—continued.

Invention.	Name.	Application.		Gazette.	
		No.	Date.	No.	Date.
Non-refillable bottle .. ..	F. Blackburn and J. Robertson ..	20047	14 Sept.	106	1 Dec.
Non-refillable bottle .. ..	Universal Patent Bottle Company, Limited	20148	6 Oct.	..	..
Non-refillable bottle .. ..	T. Taylor .. ..	20435	7 Dec.	2	11 Jan., 1906.*
Non-refillable bottle .. ..	C. P. Hanson .. ..	20463	18 Dec.	2	11 Jan., 1906.*
Noxious weeds, Destroying ..	S. McCully .. ..	19067	13 Feb.	110	14 Dec.
Noxious weeds, Destroying ..	T. H. Henderson .. ..	19060	10 Feb.	2	11 Jan., 1906.
Nozzle, Hydraulic .. ..	G. J. Henry, jun. .. ..	20422	7 Dec.	2	11 Jan., 1906.
Nut-lock .. ..	F. W. Brittan and L. H. Cross ..	20124	4 Oct.	101	16 Nov.
Nut. (See Lock-nut, Ratchet-nut.)					
Oil-filter .. ..	R. Williams .. ..	20147	14 Nov.	110	14 Dec.*
Order-book, Loose-leaf .. ..	J. T. Steele .. ..	20250	30 Oct.	110	14 Dec.
Ore-crusher .. ..	F. A. Oddie .. ..	20425	5 Dec.	2	11 Jan., 1906.*
Ore-furnace .. ..	W. P. Wynne and J. H. Grant ..	18838	6 Dec., 1904	96	2 Nov.
Ores, Extraction of metals from ..	J. Turton .. ..	20465	18 Dec.	6	25 Jan., 1906.
Ores, Extraction of metals from ..	F. Mackay and A. J. Beckwith ..	20133	5 Oct.	106	1 Dec.
Ores, Treating refractory .. ..	G. C. de Witt .. ..	20248	30 Oct.	106	1 Dec.
Oven-door and attachment .. ..	T. Hitchen .. ..	20110	28 Sept.	96	2 Nov.
Overhead wires, Moving .. ..	E. N. Grove .. ..	20440	12 Dec.	..	..
Ozonizer, Electrical .. ..	C. A. Sahlstrom .. ..	19650	28 June	110	14 Dec.
Packing for rods and plungers ..	A., G. W., and C. A. Beldam ..	20353	22 Nov.	2	11 Jan., 1906.
Painters' lamp .. ..	A. H. Allen .. ..	20357	23 Nov.	..	..
Paint, Non-corrosive and anti-fouling ..	F. E. Dunnett .. ..	20251	2 Nov., 1904†	110	14 Dec.
Pan. (See Grinding-pan Saucepan.)					
Partition-wall .. ..	R. Hudson .. ..	20087	25 Sept.	101	16 Nov.
Paste-presenting machine .. ..	United Shoe Machinery Company	19050	9 Feb.	2	11 Jan., 1906.
Pea-shelling machine .. ..	G. Carrington .. ..	18940	11 Jan.	101	16 Nov.
Pea-shelling machine .. ..	F. Staines .. ..	20390	29 Nov.	110	14 Dec.*
Pedal-gear for cycles, Side-lever ..	J. H. McFarlane .. ..	19030	1 Feb.	110	14 Dec.
Peel, Attaching handle of bakers' ..	J. C. Legg .. ..	18829	3 Dec., 1904	110	14 Dec.
Peel, Attaching handle of bakers' ..	J. C. Legg .. ..	18829	3 Dec., 1904	110	14 Dec.*
Petroleum-lamp .. ..	E. G. A. Brattstrom .. ..	20263	1 Nov.	110	14 Dec.
Petroleum-vapour-gas burner .. ..	R. W. Stuart .. ..	20184	17 Oct.	101	16 Nov.
Piano .. ..	J. J. Bruer .. ..	20069	21 Sept.	101	16 Nov.
Piano, Technique developer for ..	A. B. Wallace and H. J. Jones ..	20207	21 Oct.	106	1 Dec.
Picture-frame .. ..	S. C. Heale .. ..	20429	8 Dec.	6	25 Jan., 1906.*
Pictures, Hanging .. ..	J. D. Baldwin .. ..	20404	1 Dec.	2	11 Jan., 1906.*
Pile-driving, Suction-collar for ..	W. Porch .. ..	20337	20 Nov.	..	..
Pillow-lace loom .. ..	F. E. McCreagh .. ..	20306	11 Nov.	2	11 Jan., 1906.
Pin. (See Brooch-pin, Hair-pin.)					
Pipe, Anti-nicotine .. ..	L. Pearce .. ..	20183	17 Oct.	101	16 Nov.
Pipe. (See Earthenware pipe.)					
Plaster, Electric .. ..	L. B. Morres .. ..	20134	5 Oct.	..	..
Plate. (See Dental plate, Fish-plate, Toe-plate.)					
Plates, Engraving .. ..	J. Hanlon .. ..	20417	7 Dec.	2	11 Jan., 1906.
Playing-cards .. ..	P. Mullins .. ..	20307	13 Nov.	106	1 Dec.
Plough-beams, Securing coulters to ..	R. Scobie .. ..	19040	7 Feb.	110	14 Dec.
Plough-wheel, Mountings of .. ..	E. J. Humphries .. ..	20187	18 Oct.	101	16 Nov.*
Plough-coulter .. ..	R. V. Pocock .. ..	19721	13 July	110	14 Dec.
Plough. (See Disc plough.)					
Pocket .. ..	A. Campbell .. ..	20192	4 Oct.	96	2 Nov.*
Pod-beans shelling .. ..	F. Staines .. ..	20390	29 Nov.	110	14 Dec.*
Pole. (See Trolley-pole, Wagon-pole.)					
Polishing-glove and brush combined ..	J. A. Head .. ..	20176	12 Oct.	101	16 Nov.
Polishing machine, Glass- .. ..	A. Kaiser .. ..	20356	22 Nov.	..	..
Portable receptacle .. ..	W. F. Lietz .. ..	19029	1 Feb.	110	14 Dec.
Post-card .. ..	F. G. Radcliffe and R. L. Stewart	19451	8 May	2	11 Jan., 1906.
Post-card, Pictorial .. ..	R. Love and T. H. Keesing ..	20180	12 Oct.	..	..
Post-card, Pictorial .. ..	E. L. White .. ..	20308	21 Jan.†	..	..
Postmarking-machine .. ..	D. Robertson .. ..	20260	1 Nov.	101	16 Nov.*
Postmarking-machine .. ..	D. Robertson .. ..	20371	31 Dec., 1904†	6	25 Jan., 1906.
Potatoes to prevent blight, Treating ..	J. Strathern .. ..	20427	5 Dec.	2	11 Jan., 1906.*
Potato-harvester .. ..	J. A. Adamson .. ..	20155	5 Oct.	..	..
Poultry-feeder .. ..	P. J. Cocks and F. O. Andrews ..	20428	8 Dec.	..	..
Powder. (See Detergent powder, Egg- powder.)					
Power-hammer .. ..	H. B. Stocks .. ..	20125	4 Oct.	106	1 Dec.
Precious metals, Recovering .. ..	H. L. Lightner, W. Priest, and H. Feige	20137	5 Oct.	106	1 Dec.
Preserve-can .. ..	H. Böhm .. ..	18624	20 Oct., 1904	96	2 Nov.
Preserver. (See Egg-preserver.)					
Preserving-chest .. ..	H. E. McDonald and L. V. Dia- manti	20274	3 Nov.	106	1 Dec.*
Preserving natural colours of timber ..	G. Leslie .. ..	20385	25 Nov.	2	11 Jan., 1906.*
Preserving meat .. ..	B. Clark .. ..	20144	2 Oct.	101	16 Nov.
Preserving meat .. ..	A. H. Chapman .. ..	20393	28 Nov.	..	..
Preserving foods with gases .. ..	H. J. R. Hemming .. ..	20456	31 Dec., 1904†	6	25 Jan., 1906.
Pressure-block .. ..	W. Harvey .. ..	20048	14 Sept.	96	2 Nov.
Protector. (See Cuff-protector, Feeding- bottle protector.)					
Pulley to window-sash, Fastening ..	R. Perry .. ..	20126	4 Oct.	91	19 Oct.*

ALPHABETICAL LIST OF INVENTIONS—continued.

Invention.	Name.	Application.		Gazette.	
		No.	Date.	No.	Date.
Pumice-soap .. .. .	E. T. C. Firth .. .. .	20276	2 Nov. ..	106	1 Dec.*
Pump. (See Beer-pump, Bicycle-pump, Spray-pump.)					
Pump-gearing .. .. .	C. Cannell .. .. .	20158	10 Oct. ..	101	16 Nov.*
Rabbit-trap .. .. .	O. T. Madeley .. .. .	19798	27 July ..	96	2 Nov.*
Rabbit-trap .. .. .	R. J. Fry .. .. .	19735	14 July ..	106	1 Dec.
Rabbit-trap .. .. .	E. Sable .. .. .	20386	29 Nov. ..	2	11 Jan., 1906.*
Rack. (See Broom-rack.)					
Raft, Life-saving .. .. .	W. J. Nankivell .. .. .	20285	8 Nov. ..	106	1 Dec.*
Rails, Operating switches of .. .. .	L. Atkinson .. .. .	20272	2 Nov. ..	106	1 Dec.*
Railway-brake .. .. .	A. R. Angus .. .. .	20387	29 Nov. ..	110	14 Dec.*
Railway-brake .. .. .	A. R. Angus .. .. .	20388	29 Nov. ..	110	14 Dec.*
Railway-brake .. .. .	A. R. Angus .. .. .	20389	29 Nov. ..	110	14 Dec.*
Railway-car gear .. .. .	A. R. Angus .. .. .	20448	14 Dec. ..	2	11 Jan., 1906.*
Railway-car gear .. .. .	A. R. Angus .. .. .	20449	14 Dec. ..	2	11 Jan., 1906.*
Railway-car gear .. .. .	A. R. Angus .. .. .	20485	21 Dec. ..	2	11 Jan., 1906.*
Railway-car gear .. .. .	A. R. Angus .. .. .	20499	28 Dec. ..	6	25 Jan., 1906.*
Railway-coupling .. .. .	R. Williams .. .. .	20152	7 Oct. ..	..	..
Railway-rail .. .. .	S. Rodgers .. .. .	20461	14 Dec. ..	..	..
Railway-signalling apparatus .. .. .	G. T. Pritchard .. .. .	20206	21 Oct. ..	101	16 Nov.*
Railway-truck, Removing coal from .. .. .	W. Nicol .. .. .	20383	28 Nov. ..	2	11 Jan., 1906.
Railway-truck, Preventing unauthorised access to	C. Maaskant .. .. .	20418	7 Dec. ..	2	11 Jan., 1906.
Rain water, Diverting, from service-tank	V. R. Reeve .. .. .	20482	21 Dec. ..	2	11 Jan., 1906.*
Rain-water head and strainer .. .. .	T. Dugdale .. .. .	20329	17 Nov. ..	2	11 Jan., 1906.*
Rain-water strainer .. .. .	J. A. Powrie .. .. .	20305	13 Nov. ..	..	..
Rake, Side-delivery .. .. .	W. E. Martin .. .. .	20253	31 May, 1905.†	106	1 Dec.
Range. (See Cooking-range.)					
Ratchet-nut .. .. .	S. Rodgers .. .. .	20478	18 Dec. ..	..	..
Ray, Penetrating .. .. .	C. Y. Dally .. .. .	20212	24 Oct. ..	..	..
Reaper and binder, Stooking attachment to	H. Buckeridge .. .. .	20446	13 Dec. ..	2	11 Jan., 1906.*
Receptacle, Portable .. .. .	W. F. Lietz .. .. .	19029	1 Feb. ..	110	14 Dec.
Recording movements of persons .. .. .	P. Hercus .. .. .	20489	19 Dec. ..	..	..
Rendering apparatus .. .. .	E. Phillips .. .. .	20334	20 Nov. ..	2	11 Jan., 1906.
Reservoir for collecting dew .. .. .	A. J. and G. Hubbard and A. W. S. Cross	20271	23 June†	2	11 Jan., 1906.
Ridger. (See turnip-ridger.)					
Rifle-cleaner .. .. .	B. E. S. Stocker .. .. .	20238	27 Oct. ..	110	14 Dec.
Rivets, Assorting and delivering .. .. .	United Shoe Machinery Company	18925	9 Jan. ..	96	2 Nov.
Road and drain forming machine	O. Paora .. .. .	20300	8 Nov. ..	106	1 Dec.*
Roof-gutter .. .. .	J. O'Dowd .. .. .	19629	26 June ..	106	1 Dec.
Rope-grip .. .. .	R. Wales .. .. .	20202	17 Oct. ..	101	16 Nov.*
Rope-grip .. .. .	G. Cradock .. .. .	20247	30 Oct. ..	110	14 Dec.
Rope. (See leg-rope.)					
Rounding and channelling machine, Rough	United Shoe Machinery Company	20452	14 Dec. ..	2	11 Jan., 1906.*
Roundabout .. .. .	J. Sutherland .. .. .	20501	28 Dec. ..	6	25 Jan., 1906.*
Safety-lamp .. .. .	A. G. R. Williams .. .. .	20132	4 Oct. ..	101	16 Nov.*
Safe, Cool. .. .. .	S. Banks and E. J. W. Jones	20495	22 Dec. ..	..	..
Salting or corning meat .. .. .	P. H. O'Keeffe .. .. .	20064	21 Sept. ..	110	14 Dec.
Sand-blast apparatus .. .. .	Marine Construction Company ..	20412	6 Dec. ..	2	11 Jan., 1906.
Sash-lock .. .. .	T. Miller .. .. .	20321	15 Nov. ..	..	..
Sash-mover and lock .. .. .	A. R. Hardy .. .. .	20277	2 Nov. ..	101	16 Nov.*
Sash-raiser and lock .. .. .	J. Bax er .. .. .	19696	17 Oct. ..	96	2 Nov.*
Sash-raiser and lock .. .. .	W. Stone .. .. .	20366	21 Nov. ..	2	11 Jan., 1906.*
Sash. (See Window-sash, Ventilating-sash.)					
Sash-support .. .. .	J. S. Gribbon and J. McKean ..	20222	25 Oct. ..	106	1 Dec.
Saucepan and kettle .. .. .	C. H. Harris .. .. .	20281	7 Nov. ..	106	1 Dec.*
Saw-bench and surface-planer .. .. .	W. E. L. Laugesen and L. E. Hogbacka	19966	1 Sept. ..	101	16 Nov.
Saw-bench, Reversing-gear for feeding roller of	E. M. Edkins .. .. .	20121	2 Oct. ..	91	19 Oct.*
Scaffolding .. .. .	K. A. Olsen .. .. .	20153	5 Oct. ..	96	2 Nov.*
Scaffolding cramp .. .. .	W. H. Bowser .. .. .	20185	17 Oct. ..	101	16 Nov.*
Screw tap .. .. .	A. Mitchell .. .. .	20309	14 Nov. ..	106	1 Dec.*
Scrub and fern cutter .. .. .	J. Trounson .. .. .	20342	21 Nov. ..	110	14 Dec.*
Sea-beach sands, Extraction of gold from	F. Marsh .. .. .	20198	19 Oct. ..	106	1 Dec.*
Seat. (See Vehicle-seat.)					
Sediment-trap strainer .. .. .	A. McDonald and S. R. Stedman	18871	16 Dec., 1904	96	2 Nov.
Sediment-trap strainer .. .. .	A. McDonald .. .. .	20256	28 Oct. ..	101	16 Nov.*
Seed and grain cleaner .. .. .	M. Hogan .. .. .	20391	25 Nov. ..	..	..
Seed and manure sower .. .. .	J. Gray .. .. .	19167	6 March ..	110	14 Dec.
Seed and manure sower and comb	W. J. Chambers .. .. .	20318	13 Nov. ..	106	1 Dec.*
Seed-sower .. .. .	D. Moore .. .. .	20479	19 Dec. ..	6	25 Jan., 1906.*
Seeding-machine distributor .. .. .	American Seeding-machine Company	20217	25 Oct. ..	106	1 Dec.
Seeds, Preserving, from insects	W. Kennedy .. .. .	20194	17 Oct. ..	106	1 Dec.
Separator .. .. .	Aktiebolaget Separator .. .. .	20311	14 Nov. ..	2	11 Jan., 1906.
Separator .. .. .	Aktiebolaget Separator .. .. .	20455	14 Dec. ..	6	25 Jan., 1906.
Sewing-machine .. .. .	United Shoe Machinery Company	20451	14 Dec. ..	2	11 Jan., 1906.*

## ALPHABETICAL LIST OF INVENTIONS—continued.

Invention.	Name.	Application.		Gazette.	
		No.	Date.	No.	Date.
Shackle .. .. .	J. R. Park .. .. .	20335	20 Nov. ..	110	14 Dec.*
Shade-holder for electric light .. .. .	H. Leah .. .. .	20129	4 Oct. ..	96	2 Nov.*
Shaft-bearings .. .. .	J. H. Gray .. .. .	20362	23 Nov. ..	..	..
Shaft-tug .. .. .	A. Johnston .. .. .	20230	26 Oct. ..	101	16 Nov.*
Shears. (See Bar-shears, Sheep-sh-sars.)					
Sheep-brand .. .. .	J. Ellen .. .. .	20175	12 Oct. ..	96	2 Nov.*
Sheep-shears .. .. .	J. and E. McGregor and C. G. Ross	20347	22 Nov. ..	..	..
Sheepskins, Removing wool from .. .. .	A. E. Coker .. .. .	19463	29 Nov. ..	110	14 Dec.
Sheepskins, Removing wool from .. .. .	D. Urquhart and C. Sloper .. .. .	20324	16 Nov. ..	110	14 Dec.*
Sheep, &c., Travelling-race for .. .. .	C. Rask and E. A. Cameron .. .. .	20112	23 Sept. ..	96	2 Nov.*
Ships, Apparatus for raising sunken .. .. .	J. Crook .. .. .	19917	19 Aug. ..	96	2 Nov.
Shirt cuff .. .. .	A. E. G. Bennett .. .. .	20310	14 Nov. ..	..	..
Shoe and boot machinery .. .. .	A. Harrington and W. Spiers .. .. .	20413	6 Dec. ..	..	..
Shoe .. .. .	S. Smith .. .. .	19980	18 Sept. ..	106	1 Dec.*
Shoe .. .. .	H. C. Welch .. .. .	20135	5 Oct. ..	96	2 Nov.*
Shoe-heel .. .. .	R. Barnes .. .. .	20484	21 Dec. ..	..	..
Shoe. (See Horse-shoe.)					
Shoe of grinding-pan .. .. .	W. Middleton and H. N. G. Cobbe	20221	25 Oct. ..	106	1 Dec.
Shot-gun cleaner .. .. .	B. E. S. Stocker .. .. .	20238	27 Oct. ..	110	14 Dec.
Show-case fastener .. .. .	J. Mead .. .. .	20444	11 Dec. ..	..	..
Sieve. (See Kauri-gum sieve.)					
Signalling apparatus, Railway .. .. .	G. T. Pritchard .. .. .	20206	17 Oct. ..	101	16 Nov.*
Skeith-buckle .. .. .	D. Buckley .. .. .	20205	18 Oct. ..	110	14 Dec.
Skimmer for steam-boiler .. .. .	E. G. Marlow and F. C. Constable	20415	6 Dec. ..	2	11 Jan., 1906.
Skins, Removing wool from .. .. .	A. E. Coker .. .. .	19463	29 Nov. ..	110	14 Dec.
Skins, Removing wool from .. .. .	D. Urquhart and C. Sloper .. .. .	20324	16 Nov. ..	110	14 Dec.*
Sleeve of waterproof coat .. .. .	R. A. Bradbury .. .. .	20508	30 Dec. ..	6	25 Jan., 1906.*
Slimes-filter .. .. .	F. C. Brown .. .. .	20298	8 Nov. ..	106	1 Dec.*
Slimes-filter .. .. .	E. S. Huntley .. .. .	20128	4 Oct. ..	..	..
Sluice box for gold-saving .. .. .	R. P. Park .. .. .	20488	21 Dec. ..	2	11 Jan., 1906.*
Snap-catch for leg-rope .. .. .	C. E. Hayward, jun., and W. E. Hunter	20215	24 Oct. ..	..	..
Soap. (See Pumice-soap.)					
Sock. (See Boot-sock.)					
Sower. (See Manure-sower, Seed-sower.)					
Sporting telegraph .. .. .	J. G. Oates .. .. .	20282	7 Nov. ..	106	1 Dec.*
Spouting-bracket .. .. .	C. E. Larsen .. .. .	20122	2 Oct. ..	91	19 Oct.*
Spouting-bracket .. .. .	G. H. Clapham and J. L. Barlow .. .. .	19411	1 May ..	2	11 Jan., 1906.
Sprayer, Potato and fruit .. .. .	J. D. McLaurin .. .. .	20257	31 Oct. ..	..	..
Spray-pump .. .. .	C. Stemitz .. .. .	20377	23 Nov. ..	110	14 Dec.*
Spraying plants .. .. .	A. Billens .. .. .	20367	18 Nov. ..	2	11 Jan., 1906.
Sprayer .. .. .	J. Garside .. .. .	20496	22 Dec. ..	..	..
Spreader for dray-chain .. .. .	F. V. Raymond .. .. .	18983	19 Jan. ..	106	1 Dec.
Spring catch .. .. .	J. Bruce .. .. .	20323	14 Nov. ..	2	11 Jan., 1906.*
Stacking and bagging threshed grain .. .. .	M. Saunders and G. Winter .. .. .	20410	4 Dec. ..	2	11 Jan., 1906.*
Stamp-vending machine .. .. .	A. Parker .. .. .	20227	26 Oct. ..	101	16 Nov.*
Standard. (See Fencing-standard.)					
Stand. (See Bag-stand, Iron-stand.)					
Station-indicator .. .. .	A. J. Border .. .. .	19709	10 July ..	110	14 Dec.
Station-indicator .. .. .	H. T. Smith and A. E. Brown .. .. .	20336	20 Nov. ..	2	11 Jan., 1906.
Stave-machine for casks .. .. .	Machine-made Casks, Limited	20505	28 Dec. ..	..	..
Steam-boiler, Skimmer for .. .. .	E. G. Marlow and F. C. Constable	20415	6 Dec. ..	2	11 Jan., 1906.
Steam-boiler, Water-feeding device for .. .. .	J. T. Innes .. .. .	20136	5 Oct. ..	101	16 Nov.
Steam-boiler tubes, Fixing and tightening .. .. .	F. Stubbs .. .. .	20472	18 Dec. ..	..	..
Steam-distribution for locomotives .. .. .	W. E. Hughes .. .. .	20067	21 Sept. ..	96	2 Nov.
Steam-turbine .. .. .	J. C. Fraser .. .. .	20219	25 Oct. ..	101	16 Nov.
Stereotypes, Casting curved .. .. .	W. E. Hughes .. .. .	20355	22 Nov. ..	..	..
Sterilised air into cow's udder, Injecting .. .. .	G. Scott .. .. .	20104	27 Sept. ..	96	2 Nov.*
Sterilising and preserving food with gases .. .. .	H. J. R. Hemming .. .. .	20456	31 Dec., 1904†	6	25 Jan., 1906.
Stirrup iron .. .. .	T. F. O'Connell .. .. .	20295	10 Nov. ..	..	..
Stooking attachment to reaper and binder .. .. .	H. Buckeridge .. .. .	20446	13 Dec. ..	2	11 Jan., 1906.*
Stopper. (See Bottle and stopper, Vehicle and horse stopper.)					
Strainer. (See Rainwater-strainer, Sediment trap strainer.)					
Stretcher, Woven-wire .. .. .	E. Grundy .. .. .	18577	11 Oct., 1904	106	1 Dec.
Stripper, Flax-tail .. .. .	W. Dempsey .. .. .	20142	3 Oct. ..	2	11 Jan., 1906.*
Stump-extractor .. .. .	E. S. Schroeder .. .. .	19113	21 Feb. ..	2	11 Jan., 1906.
Submarine boat .. .. .	H. J. Wallis .. .. .	20246	27 Oct. ..	6	25 Jan., 1906.*
Suction-collar for pile-driving .. .. .	W. Porch .. .. .	20337	20 Nov. ..	..	..
Sugar-milk and cacao compound .. .. .	J. R. Hatmaker .. .. .	20166	20 Oct., 1904†	101	16 Nov.
Sulphide ores, Extraction of gold from .. .. .	F. Mackay and A. J. Beckwith .. .. .	20133	5 Oct. ..	106	1 Dec.
Sun's altitude, Measuring .. .. .	W. Chappell .. .. .	20299	8 Nov. ..	110	14 Dec.
Sun-blind .. .. .	E. J. Gee .. .. .	20208	21 Oct. ..	96	2 Nov.*
Sun-blind, Lifting and lowering .. .. .	R. H. Sollitt and H. J. Whitelaw .. .. .	20275	3 Nov. ..	..	..
Superheater, Exhaust-steam .. .. .	G. W. J. White .. .. .	20262	1 Nov. ..	110	14 Dec.
Surface-planer and saw-bench .. .. .	W. E. L. Laugesen and L. E. Hogbacka	19966	1 Sept. ..	101	16 Nov.
Swing, Adjustable .. .. .	L. Hardie .. .. .	20225	24 Oct. ..	101	16 Nov.*
Switches of rails, Operating .. .. .	L. Atkinson .. .. .	20272	2 Nov. ..	106	1 Dec.*
Table. (See Billiard-table Gold-saving table, Time-table.)					
Tailings, Extraction of gold from .. .. .	F. Marsh .. .. .	20198	19 Oct. ..	106	1 Dec.*



ALPHABETICAL LIST OF INVENTIONS—continued.

Invention.	Name.	Application.		Gazette.	
		No.	Date.	No.	Date.
Tank, Diverting rain-water from	V. R. Reeve	20482	21 Dec.	2	11 Jan., 1906.*
Tap. (See Screw tap.)					
Tea-fuser	A. Lyell	20375	25 Nov.		
Tea preparation	H. S. W. Palmer and R. V. Webster	20163	12 Oct.	101	16 Nov.
Teat cup, Mouthpiece for	A. Gillies	20164	12 Oct.	96	2 Nov.*
Teat-cup, Pneumatic	A. Ridd	20239	27 Oct.	101	16 Nov.*
Technique in connection with piano, Developing	A. B. Wallace and H. J. Jones	20207	21 Oct.	106	1 Dec.
Telephone, Alarm-attachment to	F. J. Farrell	18974	16 Jan.	110	14 Dec.
Tent, Sleeping-	B. L. Donne	20236	27 Oct.	110	14 Dec.
Tester. (See Ball or bowl tester, Egg-tester.)					
Telephone-transmitter	H. A. Cutmore	20252	30 Oct.	106	1 Dec.
Telegraph, Sporting	J. G. Oates	20282	7 Nov.	106	1 Dec.*
Thresher for cocksfoot	H. C. Thomsen	20245	23 Oct.	2	11 Jan., 1906.*
Threshing-machine elevator	A. Werner	19286	1 April	2	11 Jan., 1906.
Tickets in bales of flax, Depositing	A. J. Pomeroy	20233	26 Oct.	101	16 Nov.*
Timber, Preserving natural colours of	G. Leslie	20385	25 Nov.	2	11 Jan., 1906.*
Timber-wagon	S. T. Cooper	20330	17 Nov.	106	1 Dec.*
Timber-dressing	C. F. Pulley	20473	20 Dec.	2	11 Jan., 1906.*
Time-table and advertising device	W. J. Rae	18749	16 Nov., 1904	91	19 Oct.
Timing apparatus for shutting off lights	T. O'Neil	20213	24 Oct.	106	1 Dec.*
Tin. (See Bread-tin, Kerosene-tin.)					
Tire	E. B. Killen	20504	28 Dec.		
Tires, Inflating	A. G. Lavertine and J. E. McNeilan	20466	18 Dec.	6	25 Jan., 1906.
Tire, Non-puncturable	V. Nalty	20297	10 Nov.		
Tire-valve, Pneumatic	F. Rich and G. F. Walbran	20261	1 Dec.	110	14 Dec.
Tires, Valve-connection for	J. Coe and V. Johansen	20056	15 Sept.	96	2 Nov.
Tires, Vulcanising	O. Andrews	20480	21 Dec.		
Toasting-appliance	T. V. Whitmore	20322	14 Nov.	106	1 Dec.*
Tobacco cutter and box	J. H. A. McPhee	20476	15 Dec.	2	11 Jan., 1906.*
Tobacco lighter	W. P. MacIntosh	20065	21 Sept.	106	1 Dec.
Toe-clip	H. Nalder	20174	13 Oct.	101	16 Nov.*
Toe-clip for bicycle	A. W. Loone	20368	23 Nov.	110	14 Dec.*
Toe-plate for boots	L. H. Hicks and A. N. Cooke	20420	7 Dec.		
Toilet-comb	E. G. Langton	20293	10 Nov.	106	1 Dec.*
Tonic and antidote	W. B. Brain	20381	23 Nov.		
Tonic, Medicinal	T. Vivian	20241	25 Oct.	101	16 Nov.*
Tool. (See Combination Tool.)					
Top-piece for boot-heel	P. Y. Harrison and R. H. Southall	20292	10 Nov.		
Trace-spreader	D. G. Watson	20189	18 Oct.	101	16 Nov.*
Tram-car fender	J. L. Kirkbride	20443	11 Dec.	2	11 Jan., 1906.*
Tram-rail points, Moving	E. N. Grove	20440	12 Dec.	2	11 Jan., 1906.*
Transmitter. (See Telephone-transmitter.)					
Trap. (See Animal-trap, Bird-trap, Rabbit-trap, Sediment-trap.)					
Travelling-race or alleyway	C. Rask and E. A. Cameron	20112	23 Sept.	96	2 Nov.*
Trolley-head	G. B. Holmes and A. D. Allen	20376	27 Nov.	110	14 Dec.*
Trolley-pole controller	F. H. Cooper	19015	1 Feb.	110	14 Dec.
Trolley-wheel guide	J. J. Macky	20498	23 Dec.	6	25 Jan., 1906.*
Truck. (See Railway-truck.)					
Tube mill, Lining for	H. P. Barry	20436	9 Dec.	2	11 Jan., 1906.*
Tumbler. (See Dredge-tumbler.)					
Turbine. (See Fluid-pressure turbine, Steam-turbine.)					
Turbine	M. Heeb	20354	22 Nov.	110	14 Dec.*
Turnip-ridger, Lifting and pressure device for	A. Storrle	18954	7 Jan.	110	14 Dec.
Turnip-thinner	A. M. Swhan	20395	28 Nov.	2	11 Jan., 1906.*
Type casting and setting machine	The Chartered Patents Company, Limited	20454	14 Dec.	6	25 Jan., 1906.
Typewriter carriage and spacer	A. Schultze	20273	28 Oct.	6	25 Jan., 1906.*
Vaccine, Blackleg-	E. M. Houghton	20081	22 Sept.	101	16 Nov.
Valve, Can-washing	J. E. Day	20289	10 Nov.	101	16 Nov.*
Valve-connection for tires	J. Coe and V. Johansen	20056	15 Sept.	96	2 Nov.
Valve. (See Locomotive-valve, Tire-valve.)					
Valves, taps, &c., Operating	W. Howlin	19644	28 June	2	11 Jan., 1906.
Vapour-burner, incandescent	A. Blanchard, H. Wood, and E. A. H. Burgoyne	20487	21 Dec.		
Vehicle and horse stopper	W. Smith	20243	27 Oct.	110	14 Dec.*
Vehicle-cushion	G. Moore	20179	16 Oct.	101	16 Nov.*
Vehicle-seat, Movable	A. Worsfold	20204	17 Oct.	106	1 Dec.
Vehicle-wheel, Securing upon axle	W. C. Page	20296	10 Nov.	110	14 Dec.
Vehicle wheel, Road-	G. Middleton	20344	22 Nov.	2	11 Jan., 1906.
Velocipede-driving mechanism	E. A. Tychsen	20279	4 Nov.		
Vending-machine	The Horrocks Automatic Vending-machine Company, Limited	20220	25 Oct.	96	2 Nov.*
Vending machine, Stamp-	A. Parker	20227	26 Oct.	101	16 Nov.*
Venetian blind, Lifting and lowering	R. H. Sollitt and H. J. Whitelaw	20275	3 Nov.		
Ventilating-sash	W. Merton and J. Hercus	20200	16 Oct.	106	1 Dec.

ALPHABETICAL LIST OF INVENTIONS—continued.

Invention.	Name.	Application.		Gazette.	
		No.	Date.	No.	Date.
Ventilating-window .. ..	T. S. Philpott .. ..	20457	15 Dec.	2	11 Jan., 1906.*
Ventilator for buildings .. ..	W. Muir .. ..	20181	14 Oct.	96	2 Nov.*
Ventilator, Double-current .. ..	H. I. M. Ross .. ..	20178	13 Oct.	101	16 Nov.
View-book, Pictorial .. ..	E. L. White .. ..	20308	21 Jan.	..	..
Vulcanising tires .. ..	O. Andrews .. ..	20480	21 Dec.	..	..
Wagon-pole .. ..	T. T. Rawhiti .. ..	19145	27 Feb.	2	11 Jan., 1906.
Wagon. (See Timber-wagon, Metal carting and spreading wagon.)					
Wall-paper cutter .. ..	A. Matheson .. ..	20120	2 Oct.	91	19 Oct.*
Wall. (See Partition-wall.)					
Wall-tie .. ..	S. Priest, jun. .. ..	19131	22 Feb.	2	11 Jan., 1906.
Wash-board .. ..	J. J. Power .. ..	20474	20 Dec.	..	..
Washer. (See Churn and butter-washer.)					
Washing-boiler .. ..	B. S. and J. H. Nicholls and C. A. Bennett	20265	30 Oct.	..	..
Washing-fluid .. ..	F. E. A. Gordon .. ..	20486	21 Dec.	2	11 Jan., 1906.*
Washing-fluid .. ..	J. Steer .. ..	20462	16 Dec.	..	..
Washing. (See Glass-washing, Clothes-washing.)					
Waterproof-fabric manufacture .. ..	J. R. Park .. ..	20350	22 Nov.	2	11 Jan., 1906.
Waterproof-coat sleeve .. ..	R. A. Bradbury .. ..	20508	30 Dec.	6	25 Jan., 1906.*
Water-feeding device for steam-boiler .. ..	J. T. Innes .. ..	20136	5 Oct.	101	16 Nov.
Water. (See Mineral-water, Rain-water.)					
Water-tube boiler .. ..	J. Smail .. ..	18597	14 Oct., 1904	96	2 Nov.
Weed and animal destruction .. ..	B. Locking .. ..	20406	5 Dec.	..	..
Weed-eradicator .. ..	J. J. Flett .. ..	20432	11 Dec.	..	..
Weeds. (See Noxious weeds.)					
Weighing-attachment to dray .. ..	A. S. Ford .. ..	20157	10 Oct.	101	16 Nov.*
Wheel-axle .. ..	W. Brady and B. T. Chaytor .. ..	20226	26 Oct.	106	1 Dec.*
Wheel-locks, Operating .. ..	F. Rouse and R. and H. G. Black .. ..	20237	27 Oct.	106	1 Dec.*
Wheel-lubricator .. ..	G. A. Nisbet .. ..	20154	9 Oct.	101	16 Nov.*
Wheel-jack .. ..	L. Healy and E. C. Hopkinson .. ..	20216	23 Oct.	6	25 Jan., 1906.*
Wheel. (See Plough-wheel, Vehicle-wheel, Trolley-wheel.)					
Whisking-machine .. ..	T. G. Haigh .. ..	20380	28 Nov.	110	14 Dec.*
Windmill .. ..	J. O'Neil .. ..	20280	6 Nov.	110	14 Dec.
Window-blind retainer .. ..	W. E. Spencer and J. Sanderson .. ..	19007	26 Jan.	110	14 Dec.
Window-sash, Fastening pulley to .. ..	R. Perry .. ..	20126	4 Oct.	91	19 Oct.*
Window, Ventilating .. ..	T. S. Philpott .. ..	20457	15 Dec.	2	11 Jan., 1906.*
Window-sash sustainer .. ..	E. J. Parrish .. ..	20043	15 Sept.	96	2 Nov.
Wire-fastener .. ..	A. R. Hardy .. ..	20199	21 Oct.	..	..
Wire. (See Electric wire, Overhead wire.)					
Wire-mattress strengthener .. ..	A. R. Morrison .. ..	20145	3 Oct.	..	..
Wire suspender for bottles .. ..	J. Sharpe .. ..	20068	21 Sept.	96	2 Nov.
Wool, Removing, from skins, &c. .. ..	A. E. Coker .. ..	19463	29 Nov.	110	14 Dec.
Wool, Removing, from skins .. ..	D. Urquhart and C. Sloper .. ..	20324	16 Nov.	110	14 Dec.*
Woven-wire stretcher .. ..	E. Grundy .. ..	18577	11 Oct., 1904	106	1 Dec.
Writing-appliance for the blind .. ..	G. Harvey .. ..	20431	11 Dec.	2	11 Jan., 1906.*

List of Applicants for Registration of Designs.

ALPHABETICAL list of applicants for registration of designs for quarter ending 31st December, 1905:—

Name.	Address.	No. of Class.	Application.		Gazette.	
			No.	Date.	No.	Date.
Andersons, Limited .. ..	Christchurch and Lyttelton, N.Z.	1	251-63	27 Oct.	101	16 Nov.
Danks, T. .. ..	Christchurch, N.Z.	1	264	6 Nov.	101	16 Nov.
Every, J. H. .. ..	Dunedin, N.Z.	1	266	11 Nov.	101	16 Nov.
Grace, A. A. .. ..	Nelson, N.Z.	5	276	15 Dec.	2	11 Jan., 1906.
Hancox, W. G. .. ..	Wellington, N.Z.	1	275	22 Dec.	2	11 Jan., 1906.
Lonsdale Bros. and Co. .. ..	Christchurch, N.Z.	2	271-3	21 Dec.	2	11 Jan., 1906.
Lonsdale Bros. and Co. .. ..	Christchurch, N.Z.	2	274	22 Dec.	2	11 Jan., 1906.
Purkiss, J. .. ..	Halcombe, N.Z.	1	265	1 Nov.	101	16 Nov.
Sterling Electro-plating Company, The .. ..	Wellington, N.Z.	2	269-70	13 and 19 Dec.	2	11 Jan., 1906.
Suckling, H. J. .. ..	Christchurch, N.Z.	1	267	21 Nov.	106	1 Dec.
Todd, T. N. .. ..	Manurewa, N.Z.	5	268	5 Dec.	110	14 Dec.

List of Applicants for Registration of Trade Marks.

ALPHABETICAL list of applicants for registration of trade marks for quarter ending 31st December, 1905 (including, also, applications lodged prior to but gazetted during such quarter).

Name.	Address.	Class.	Application.		Gazette.	
			No.	Date.	No.	Date.
Alberti, G. H. .. ..	Hamburg, Germany ..	9	5617	2 Nov.	110	14 Dec.
Alexander, Murdoch, and Co. .. ..	Dunedin, N.Z. ..	42	5677	8 Dec.	110	14 Dec.
Anderson and Son, D. .. ..	Wellington, N.Z. ..	42, 47	5606, 7	26 Oct.	96	2 Nov.
Anderson and Son, D. .. ..	Wellington, N.Z. ..	42, 47	5636, 7	13 Nov.	106	1 Dec.
Ardath Tobacco Company. (See A. Levy.)						
Ashton, Limited, T. A. .. ..	Sheffield, Eng. ..	37	5613	30 Oct.	..	..
Auckland Packing Company. (See D. A. Somerville.)						
Auckland Fresh Food and Ice Company, Limited	Auckland, N.Z. ..	42	5588, 9	24 Oct.	96	2 Nov.
Avison and Willans .. ..	Wellington, N.Z. ..	42	5583	19 Oct.	96	2 Nov.
Bisschop, H. L. G. .. ..	Delft, Holland ..	50	5519	14 Sept.	110	14 Dec.
Bond and Bell .. ..	Auckland, N.Z. ..	42	5694	22 Dec.	6	25 Jan., 1906.
Bond and Bell .. ..	Auckland, N.Z. ..	42	5695	22 Dec.	..	..
Boyd, J. A. .. ..	Wellington, N.Z. ..	50	5657	29 Nov.	110	14 Dec.
Brennecke, F. P. .. ..	Christchurch, N.Z. ..	45	5609	27 Oct.	..	..
Brennecke, F. P. .. ..	Christchurch, N.Z. ..	45	5661	1 Dec.	110	14 Dec.
British Columbia Packers' Association, The	Vancouver, B.C., Canada	42	5620, 1	3 Nov.	101	16 Nov.
British Columbia Packers' Association, The	Vancouver, B.C., Canada	42	5626-33	7 Nov.	101	16 Nov.
British Columbia Packers' Association, The	Vancouver, B.C., Canada	42	5638-41	13 Nov.	106	1 Dec.
Brough, Nicholson, and Hall .. ..	Leek, Eng. ..	30	5544	28 Sept.	96	2 Nov.
Brown, Ewing, and Co., Limited .. ..	Dunedin, N.Z. ..	38	5565	9 Oct.	96	2 Nov.
Bryant and May, Limited .. ..	London, Eng. ..	47	5304	17 May	88	5 Oct.
Buchanan, J. .. ..	Auckland, N.Z. ..	48	5579	17 Oct.	2	11 Jan., 1906.
Cadman and Sons, T. R. .. ..	Sheffield, Eng. ..	12	5555	4 Oct.	91	19 Oct.
California Fruit-canners' Association, The	San Francisco, U.S.A. ..	42	5610	27 Oct.	106	1 Dec.
Carr and Sons, J. .. ..	Manchester, Eng. ..	28	5643	14 Nov.	2	11 Jan., 1906
Carson, A. A. .. ..	Auckland, N.Z. ..	42	5550	3 Oct.	..	..
Carson and Co. (See A. A. Carson.)						
Chipman, Limited .. ..	New York, U.S.A., and Sydney, N.S.W.	42	5535	21 Sept.	96	2 Nov.
Chipman, Limited .. ..	New York, U.S.A., and Sydney, N.S.W.	42	5580	17 Oct.	..	..
Coca-Cola Company, The .. ..	Atlanta, U.S.A. ..	44	5667	7 Dec.	..	..
Cooper and Nephews .. ..	Berkhamsted, Eng. ..	2	5208-10	22 March	110	14 Dec.
Dalgety and Co., Limited .. ..	Wellington, N.Z. ..	19	5665	7 Dec.	110	14 Dec.
Dane and Co. .. ..	Palmerston North, N.Z.	47	5660	1 Dec.	110	14 Dec.
Davies, A. A. and E. B. .. ..	Wanganui, N.Z. ..	3	5635	11 Nov.	..	..
Eastwood, E., and another .. ..	Birmingham, Eng. ..	42	5619	2 Nov.	110	14 Dec.
Ekins, H. H. .. ..	Wellington, N.Z. ..	50	5569	12 Oct.	91	19 Oct.
Evelyn, E. S. .. ..	Hobart, Tasmania ..	2	5358	28 June	110	14 Dec.
Ewing Phosphate Company, Limited, The	Dunedin, N.Z. ..	4	5575	14 Oct.	96	2 Nov.
Farrow and Co. (See J. Farrow.)						
Farrow, J. .. ..	Peterborough, Eng. ..	42	5567	12 Oct.	6	25 Jan., 1906.
Ford Company, The J. B. .. ..	Ford City, U.S.A. ..	1	5374, 5	3 July	96	2 Nov.
Garland and Son, T. H. .. ..	Auckland, N.Z. ..	42	5646	20 Nov.	..	..
Garton and Co., F. G. (See E. Eastwood and E. S. Moore.)						
Glasgow, D. .. ..	Wellington, N.Z. ..	3	5659	1 Dec.	110	14 Dec.
Gollin and Co. Proprietary, Limited	Wellington, N.Z. ..	5	5591	24 Oct.	96	2 Nov.
Gollin and Co. Proprietary, Limited	Wellington, N.Z. ..	42	5662	4 Dec.	110	14 Dec.
Gordon, Woodroffe, and Co. .. ..	Christchurch, N.Z. ..	42	5577	16 Oct.	..	..
Gordon, Woodroffe, and Co. .. ..	Christchurch, N.Z. ..	42	5697	30 Dec.	..	..
Gotch, M. .. ..	Auckland, N.Z. ..	48	5611	28 Oct.	101	16 Nov.
Grey and Menzies, Limited .. ..	Auckland, N.Z. ..	44	5590	24 Oct.	..	..
Griffin, J. H. and G. R. .. ..	Nelson, N.Z. ..	42	5614	31 Oct.	101	16 Nov.
Hadfield's Steel Foundry Company, Limited	Sheffield, Eng. ..	5, 13	5655, 6	29 Nov.	110	..
Hart Manufacturing Company, The	Cleveland, U.S.A. ..	6	5568	12 Oct.	91	19 Oct.
Hatmaker, J. R. .. ..	Paris, France ..	42	5650	23 Nov.	106	Dec.
Hawkins, C. W. .. ..	Dunedin, N.Z. ..	3	5644	17 Nov.	106	Dec.
Hayward Bros. and Co., Limited	Christchurch, N.Z. ..	47	5570	12 Oct.	96	2 Nov.
Hayward Bros., Limited .. ..	Christchurch, N.Z. ..	42	5241	5 April	106	1 Dec.
Hean, G. W. .. ..	Christchurch, N.Z. ..	3	5548, 9	2 Oct.	88	5 Oct.
Herrmann, P., and others .. ..	Sydney, N.S.W. ..	50	5280	9 May	96	2 Nov.
Hudson, R. W. .. ..	Liverpool, Eng. ..	47, 48	5603, 4	25 Oct.	96	2 Nov.
Hudson, R. W. .. ..	Liverpool, Eng. ..	48.	5605	25 Oct.	101	16 Nov.

## ALPHABETICAL LIST OF APPLICANTS FOR REGISTRATION OF TRADE MARKS—continued.

Name.	Address.	Class.	Application.		Gazette.	
			No.	Date.	No.	Date.
Hudson, R. S. (See R. W. Hudson.)						
Hulbert, J. B. .. ..	Wellington, N.Z. .. ..	50	5578	16 Oct. ..	96	2 Nov.
Hunter and Etheridge .. ..	Dunedin, N.Z. .. ..	42	5547	30 Sept. ..	101	16 Nov.
International Harvester Company of America	Christchurch, N.Z. .. ..	50	5585, 6	23 Oct. ..	96	2 Nov.
Irvine and Stevenson's St. George Company, Limited	Dunedin, N.Z. ... ..	42	5530-31	20 Sept. ..	96	2 Nov.
Irvine and Stevenson's St. George Company, Limited	Dunedin, N.Z. ... ..	42, 47	5573-4	13 Oct. ..	96	2 Nov.
Johnstone and Co., J. .. ..	Auckland, N.Z. .. ..	3	5651	25 Nov. ..	..	..
Jönköpings och Vulcans Tandsticksfabriksaktiebolag	Jönköpings, Sweden .. ..	47	5679	11 Dec. ..	110	14 Dec.
Lamson Paragon Supply Company of Australasia Proprietary, Limited	Richmond, Vic. .. ..	39	5676	7 Dec. ..	110	14 Dec.
Lever Bros., Limited .. ..	Balmain, N.S.W. .. ..	47	5594	25 Oct. ..	..	..
Lever Bros., Limited .. ..	Balmain, N.S.W. .. ..	47	5595, 7	25 Oct. ..	96	2 Nov.
Lever Bros., Limited .. ..	Balmain, N.S.W. .. ..	48	5596, 8	25 Oct. ..	96	2 Nov.
Lever Bros., Limited .. ..	Balmain, N.S.W. .. ..	47	5668, 70, 2,	7 Dec. ..	110	14 Dec.
			4			
Lever Bros., Limited .. ..	Balmain, N.S.W. .. ..	48	5669, 71, 3,	7 Dec. ..	110	14 Dec.
			5			
Lever Bros., Limited .. ..	Balmain, N.S.W. .. ..	47, 48	5690, 1	20 Dec. ..	2	11 Jan., 1906.
Levy, A. .. ..	London, Eng. .. ..	45	5663	6 Dec. ..	2	11 Jan., 1906.
Levy, A. .. ..	London, Eng. .. ..	45	5664	6 Dec. ..	..	..
Loveday, L. W. .. ..	Wellington, N.Z. .. ..	50	5681	11 Dec. ..	110	14 Dec.
Maling, G. R. .. ..	Christchurch, N.Z. .. ..	42	5576	16 Oct. ..	96	2 Nov.
Maling and Dixon. (See G. R. Maling.)						
McElwain, M. .. ..	Auckland, N.Z. .. ..	3	5608	26 Oct. ..	96	2 Nov.
McLeod Patent Firebrand Company, Limited	Wellington, N.Z. .. ..	13	5652	25 Nov. ..	2	11 Jan., 1906.
McVitie and Price .. ..	Edinburgh, Scotland .. ..	42	5680	11 Dec. ..	..	..
Middlemas, R. .. ..	London, Eng. .. ..	45	5618	2 Nov. ..	101	16 Nov.
Midland Vinegar Company. (See E. Eastwood and E. S. Moore.)						
Moxham and Co., W. J. (See H. A. Twiby, J. H. Windeler, and P. Herrmann, No. 5280.)						
Moore, E. S., and another .. ..	Birmingham, Eng. .. ..	42	5619	2 Nov. ..	110	14 Dec.
Murdoch and Co., A. .. ..	Dunedin, N.Z. .. ..	42	5677	8 Dec. ..	110	14 Dec.
Murray and Co., Limited, W. T. .. ..	Invercargill, N.Z. .. ..	42	5532-4	20 Sept. ..	110	14 Dec.
Nathan and Co., Limited, J. .. ..	Wellington, N.Z. .. ..	42	5014	10 Nov., 1904	106	1 Dec.
National Cash Register Company .. ..	Dayton, U.S.A. .. ..	6	5615	1 Nov. ..	101	16 Nov.
Needham, Veall, and Tyzack, Limited	Sheffield, Eng. ... ..	12	5612	30 Oct. ..	101	16 Nov.
Newton and Son, Limited, J. .. ..	Kaiwarra, N.Z. .. ..	47	5658	1 Dec. ..	110	14 Dec.
Nicolay and Co. .. ..	London, Eng., and Zurich, Switzerland	3	5678	11 Dec. ..	110	14 Dec.
Palmerston North Mild-cure Bacon Company, The	Palmerston North, N.Z.	42	5564	7 Oct. ..	91	19 Oct.
Patterson, J. R. .. ..	Wellington, N.Z. .. ..	42	5551	3 Oct. ..	88	5 Oct.
Paterson and Co., A. S. .. ..	Auckland, Wellington, and Dunedin, N.Z.	42	5645	17 Nov. ..	106	1 Dec.
Peck and Co., H. .. ..	London, Eng. .. ..	42	5649	23 Nov. ..	..	..
Purkiss, J. .. ..	Halocombe, N.Z. .. ..	13	5634	12 Nov. ..	106	1 Dec.
Ramsay, K. S. .. ..	Dunedin, N.Z. .. ..	1	5653	27 Nov. ..	110	14 Dec.
Reckitt and Sons, Limited .. ..	Sydney, N.S.W., and Hull, Eng.	50	5692	21 Dec. ..	2	11 Jan., 1906.
Reynolds and Sons, Limited, J. .. ..	Birmingham, Eng. .. ..	13	5332	14 June ..	101	16 Nov.
Robins and others, A. .. ..	Auckland, N.Z. .. ..	50	5624	4 Nov. ..	..	..
Roger and Co., P. .. ..	Epernay, France .. ..	43	5537	21 Sept. ..	96	2 Nov.
Roneo, Limited .. ..	London, Eng. .. ..	50	5696	28 Dec. ..	..	..
Rowntree and Company, Limited .. ..	York, Eng. .. ..	42	5301	17 May ..	88	5 Oct.
Salt., Bt., Sons, and Co., Limited, Sir T.	Saltaire, Eng. .. ..	34, 38	5399, 5400	19 July ..	96	2 Nov.
Sargood, Son, and Ewen .. ..	Auckland, N.Z. .. ..	36	5552, 3, 4	3 Oct. ..	88	5 Oct.
Sargood, Son, and Ewen .. ..	Wellington, N.Z. .. ..	38	5622	3 Nov. ..	101	16 Nov.
Sheldon and Co., Limited, T. .. ..	Wolverhampton, Eng. .. ..	13	5647	22 Nov. ..	..	..
Simmons Hardware Company .. ..	St. Louis, U.S.A. .. ..	13	5688	14 Dec. ..	2	11 Jan., 1906.
Smith, A. .. ..	Wellington, N.Z. .. ..	42	5556	4 Oct. ..	91	19 Oct.
Smith and Co., R. P. .. ..	Feilding, N.Z. .. ..	22	5654	28 Nov. ..	110	14 Dec.
Smith and Smith, Limited .. ..	Dunedin, N.Z. .. ..	1	5623	4 Nov. ..	..	..
Sommerville, D. A. .. ..	Auckland, N.Z. .. ..	42	5616	2 Nov. ..	101	16 Nov.
Société Menier .. ..	Paris, France .. ..	42	5599, 5601,	25 Oct. ..	106	1 Dec.
			2			
Société Menier .. ..	Paris, France .. ..	42	5600	25 Oct. ..	..	..
Standard Oil Company of New York	New York, U.S.A. .. ..	47	4993	3 Nov., 1904	106	1 Dec.

ALPHABETICAL LIST OF APPLICANTS FOR REGISTRATION OF TRADE MARKS—*continued.*

Name.	Address.	Class.	Application.		Gazette.	
			No.	Date.	No.	Date.
Steer, J. . . . .	Napier, N.Z. . . . .	47	5689	18 Dec. . . . .	2	11 Jan., 1906.
Stevenson and Howell, Limited . . . . .	London, Eng. . . . .	42, 43	5592-3	25 Oct. . . . .	96	2 Nov. . . . .
Stratford Farmers' Co-operative Association, Limited . . . . .	Stratford, N.Z. . . . .	5587	42	24 Oct. . . . .	..	.. . . .
Strauss and Co. . . . .	London, Eng. . . . .	43	5682	11 Dec. . . . .	..	.. . . .
Suarez, B. . . . .	Havana, Cuba . . . . .	45	5581	17 Oct. . . . .	96	2 Nov. . . . .
Suchard (Société Anonyme) . . . . .	Neuchatel, Switzerland . . . . .	42	5561	5 Oct. . . . .	106	1 Dec. . . . .
Suchard (Société Anonyme) . . . . .	Neuchatel, Switzerland . . . . .	42	5562	5 Oct. . . . .	..	.. . . .
Taylor, H. A. . . . .	Wellington, N.Z. . . . .	48	5563	7 Oct. . . . .	91	19 Oct. . . . .
Thermogene Company, The . . . . .	Sussex, Eng. . . . .	3	5642	14 Nov. . . . .	106	1 Dec. . . . .
Turner and Maxwell . . . . .	Auckland, N.Z. . . . .	38	5566	10 Oct. . . . .	96	2 Nov. . . . .
Twiby, H. A., and others . . . . .	Sydney, N.S.W. . . . .	50	5280	9 May . . . . .	96	2 Nov. . . . .
United States Steel Products Export Company . . . . .	New York, U.S.A. . . . .	5	5582	19 Oct. . . . .	..	.. . . .
Vacuum Oil Company Proprietary, Limited . . . . .	Melbourne, Vic. . . . .	47	5625	4 Nov. . . . .	101	16 Nov. . . . .
Walker and Hall . . . . .	Sheffield, Eng. . . . .	50	5666	7 Dec. . . . .	110	14 Dec. . . . .
Walters and Co. (See R. Middlemas.) . . . . .	Stockport, Eng. . . . .	38	5557-60	4 Oct. . . . .	..	.. . . .
Ward Bros., Limited . . . . .	Auckland, N.Z. . . . .	45	5693	22 Dec. . . . .	..	.. . . .
Whitefield, J. . . . .	London, Eng. . . . .	39	5685, 6, 7	14 Dec. . . . .	6	25 Jan., 1906.
Wiggins, Teape, and Co., Limited . . . . .	Taihape, N.Z. . . . .	42	5584	19 Oct. . . . .	106	1 Dec. . . . .
Wight, R. B. . . . .	Howick, Scotland . . . . .	34	5495	31 Aug. . . . .	106	1 Dec. . . . .
Wilson and Glenny, Limited . . . . .	Sydney, N.S.W. . . . .	50	5280	9 May . . . . .	96	2 Nov. . . . .
Windeler, J. H., and others . . . . .	Stockport, Eng. . . . .	38	5648	23 Nov. . . . .	106	1 Dec. . . . .
Woodrow, J., and Sons, Limited . . . . .	Dunedin, N.Z. . . . .	3	5683	12 Dec. . . . .	..	.. . . .
Wootton, S. E. . . . .	Invercargill, N.Z. . . . .	42	5684	13 Dec. . . . .	2	11 Jan., 1906.
Wright, Stephenson, and Co. . . . .	San Francisco, U.S.A. . . . .	50	5624	4 Nov. . . . .	..	.. . . .
Wulzen and Co., and another . . . . .	Wellington, N.Z. . . . .	42	5572	13 Oct. . . . .	91	19 Oct. . . . .
Zohrab and Co. . . . .	Wellington, N.Z. . . . .	42	5571	13 Oct. . . . .	96	2 Nov. . . . .

By Authority: JOHN MACRAY, Government Printer, Wellington.



# ILLUSTRATIONS OF INVENTIONS.

[These illustrations refer to the complete specifications accepted, and advertised in this *Gazette*.]

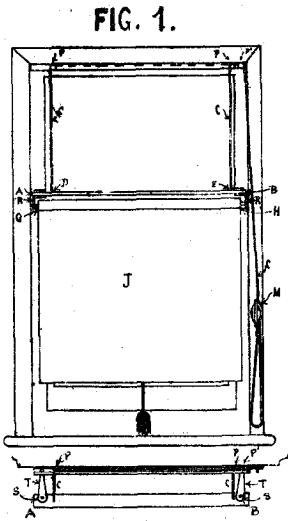
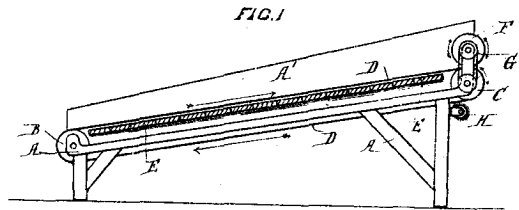
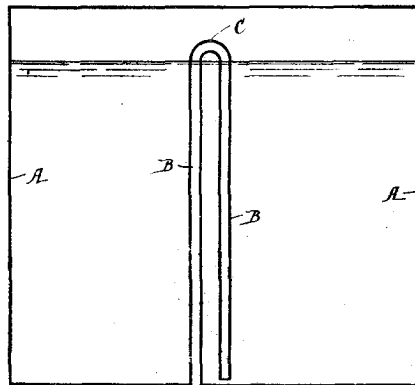


FIG. 2.

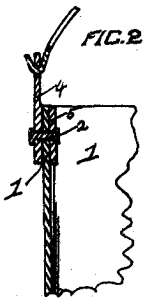
18772  
Atkinson. Blind.



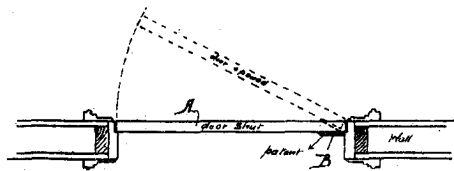
18927  
Lowe. Currant Cleaner and Stripper.



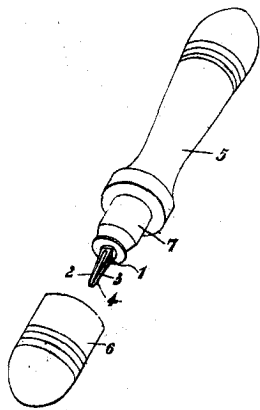
18984  
Godward. Draw-off Pipe for Tank.



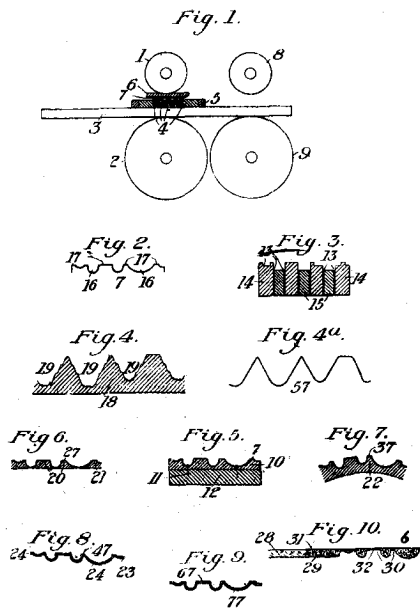
19207  
Roberts. Tin-handle.



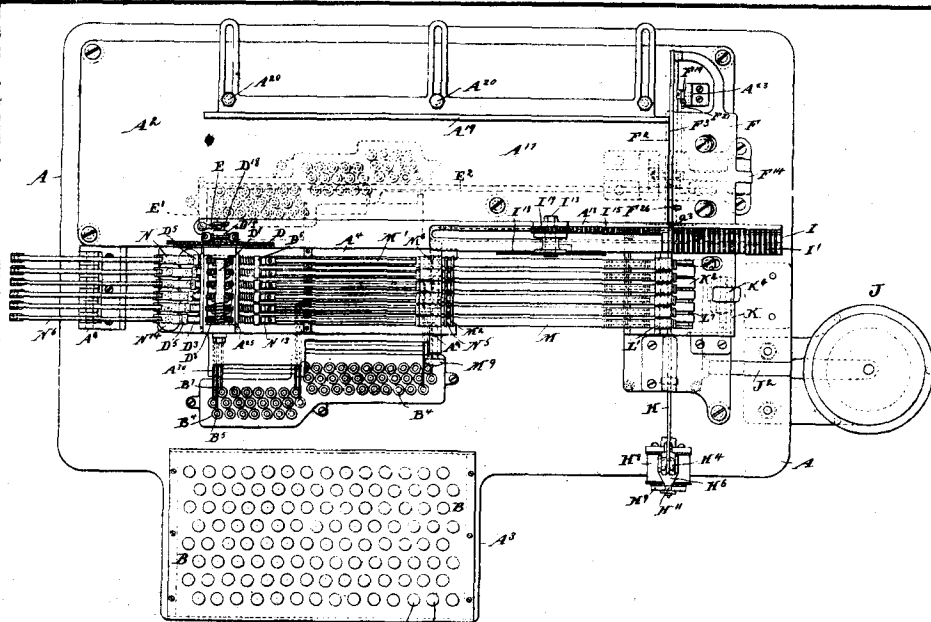
18994  
Vaughan. Door.



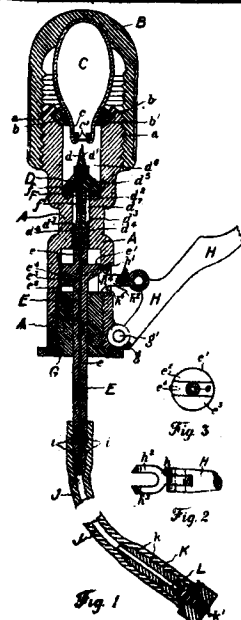
19260  
Walker. Cow's-teat Opener.



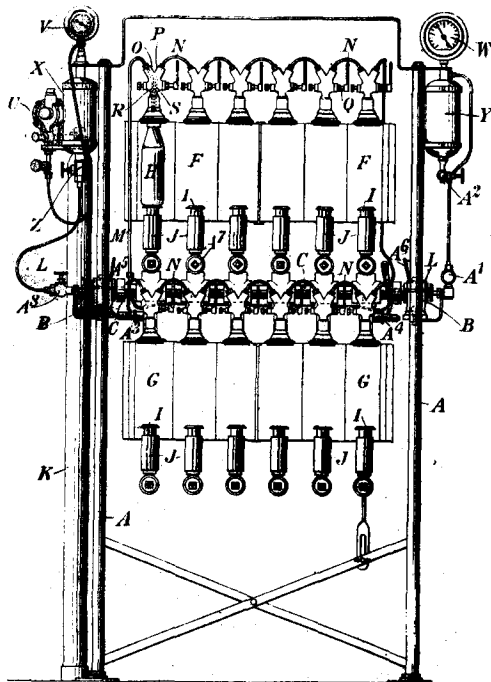
19214  
Hughes. Printing-surface. (Yesell.)



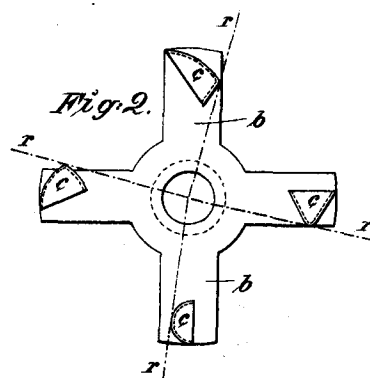
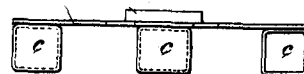
20454  
The Chartered Patents Company (Limited). Type-casting.  
(J. R. and G. A. Pearson).



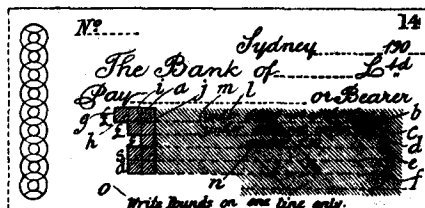
20466  
Lavertine and McNellan. Tire-inflator.



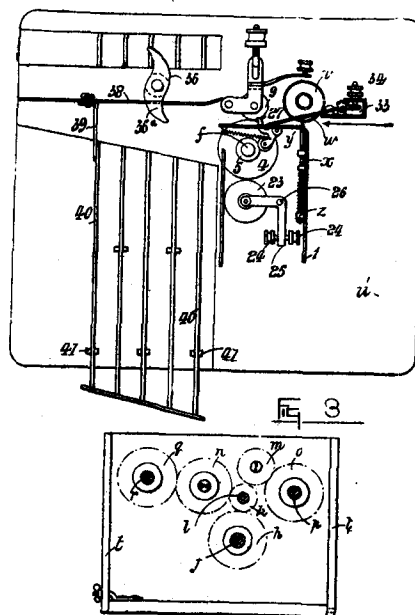
20456  
Hemming. Food-steriliser.



20455  
Aktiebolaget Separator. Separator. (Ljungstrom.)

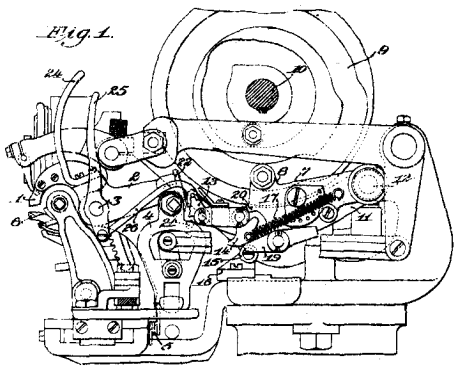


20471  
Collier. Cheque-form.

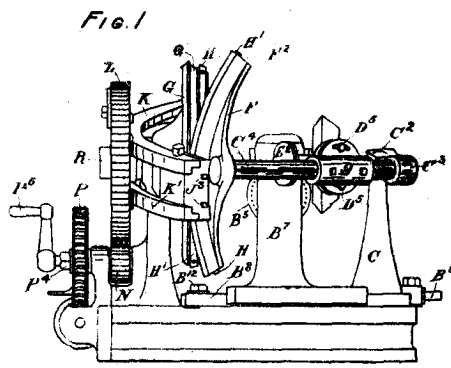


20371  
Robertson. Post-marker.

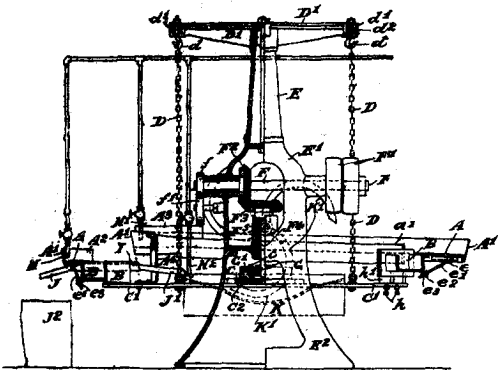




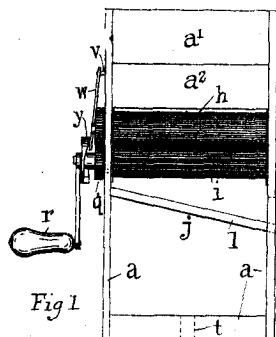
19273  
United Shoe Machinery Company. Sewing-machine. (Winkley.)



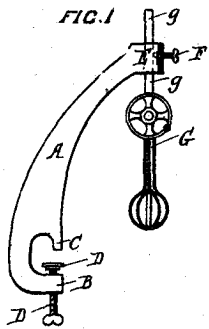
19334  
Weston. Bevel-gear Milling-machine.



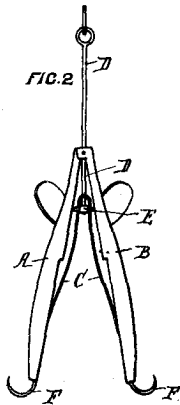
19567  
Harrison. Amalgamator and Concentrator.



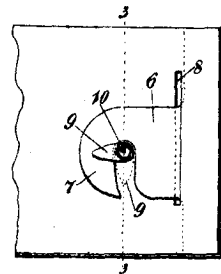
19816  
Krmptic. Pea-sheller.



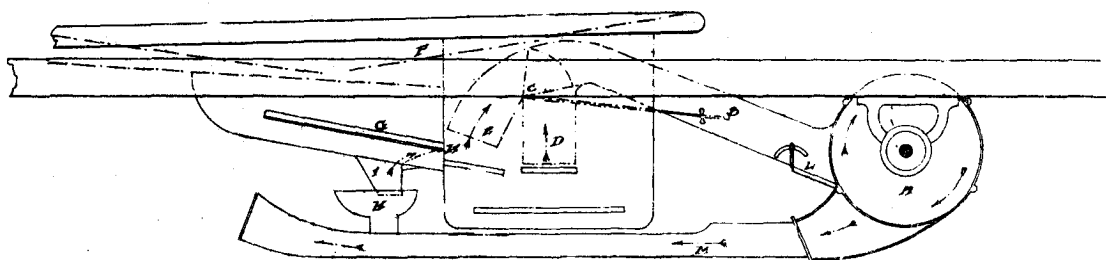
20442  
Greensill. Egg-beater Holder.



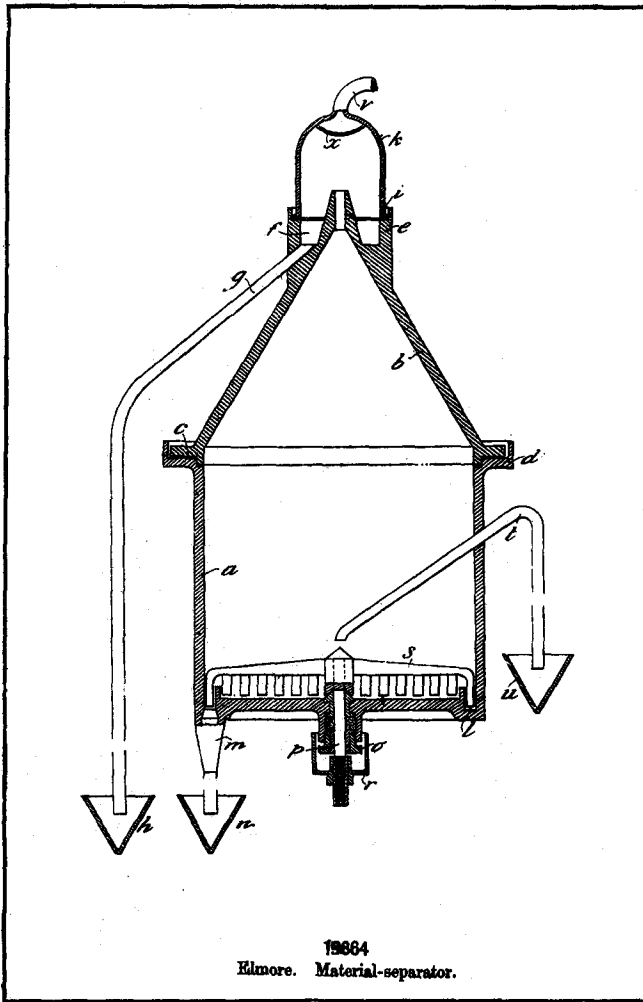
20464  
Walsh. Fish-hook.



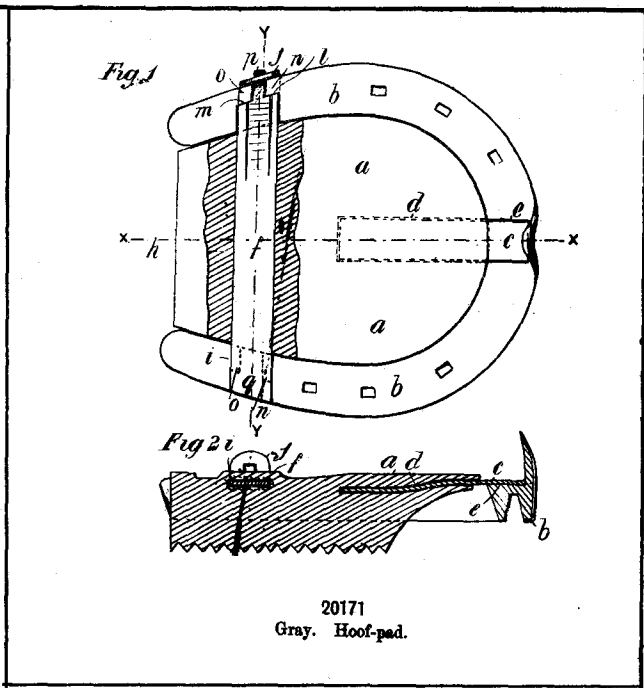
20433  
Haworth. Cardboard Box.



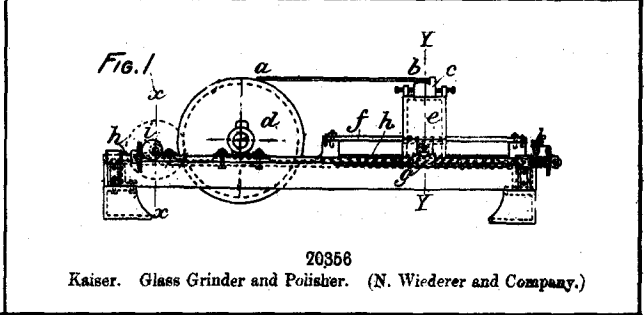
20319  
Hull. Grain-dresser.



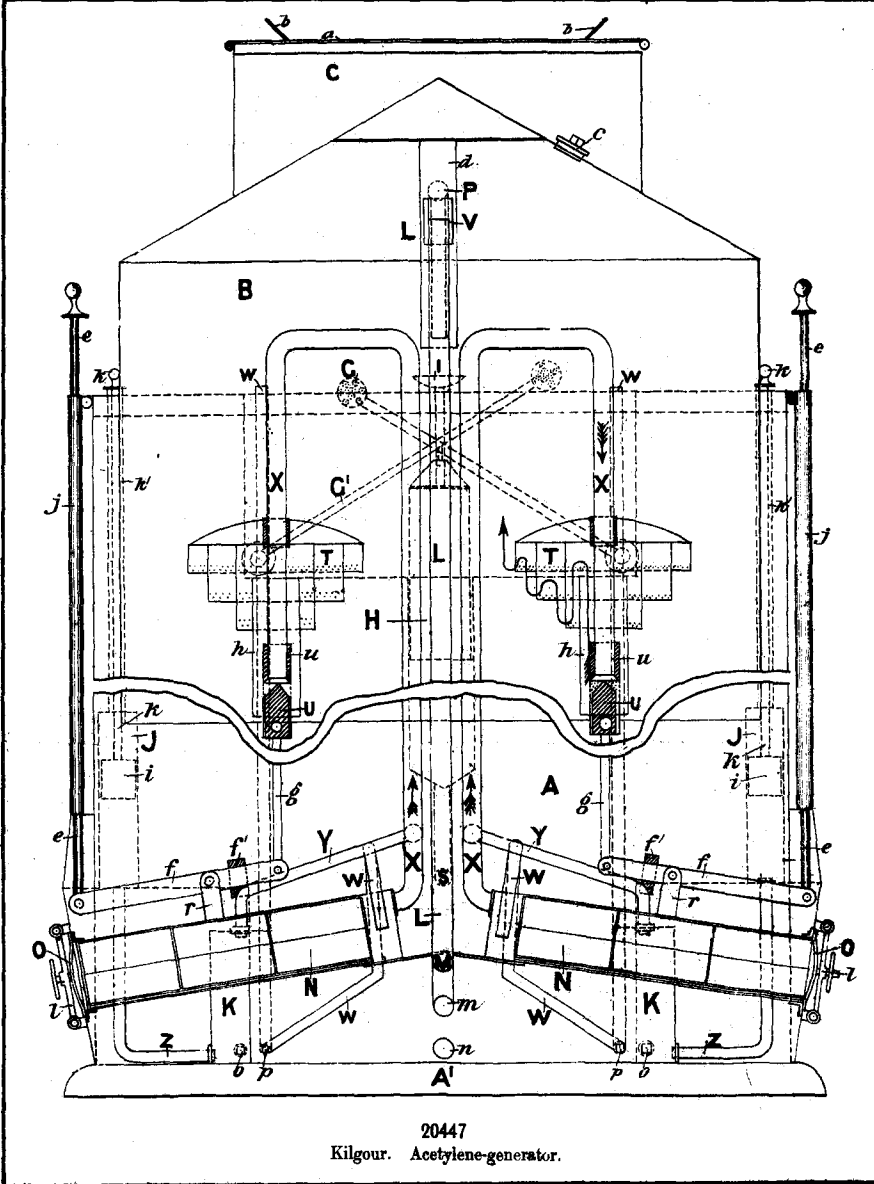
19864  
Elmore. Material-separator.



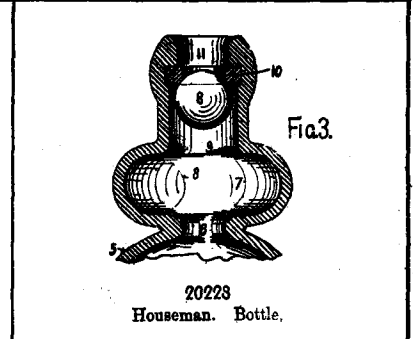
20171  
Gray. Hoof-pad.



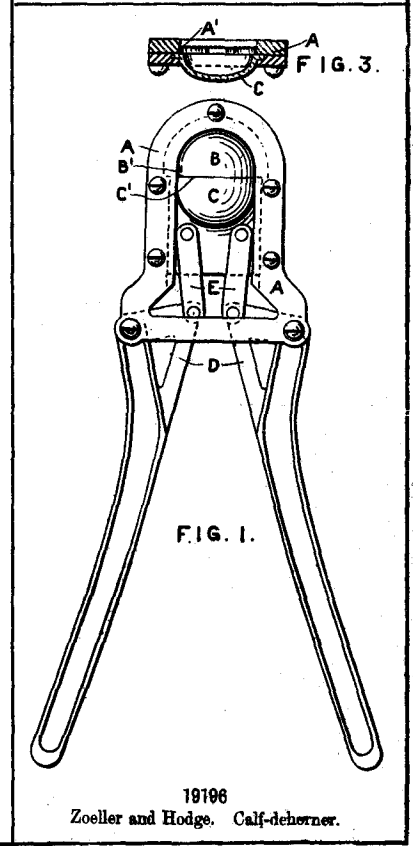
20358  
Kaiser. Glass Grinder and Polisher. (N. Wiederer and Company.)



20447  
Kilgour. Acetylene-generator.



20223  
Houseman. Bottle.



19196  
Zoeller and Hodge. Calf-dehorner.